

Bestway

#14293, #14294, #14295



Lay-Z-Spa™

www.bestwaycorp.com
Visit Bestway YouTube channel



CONTENTS

1. Safety Instructions	P2	5. Maintenance	P10
2. Specifications	P5	Filter Cartridge Maintenance	
3. Installation	P6	Water Maintenance	
Selected Location		Draining the Spa	
Pump Test		Cleaning the spa	
		Spa Repair	
4. Pump Operation	P9	Lay-Z-Spa Storage	
Heating Reset		Disposal	
Control Panel		6. Troubleshooting	P11
Alarms		7. Warranty	P12

SAFETY INSTRUCTIONS

When installing and using this electrical equipment, basic safety precaution should always be followed, including the following:

IMPORTANT SAFETY INSTRUCTIONS - READ AND FOLLOW ALL INSTRUCTIONS.

WARNING:

- The spa must be supplied through an isolating transformer or supplied through a residual current device (RCD) having a rated residual operating current not exceeding 30mA.
- The pump must be tested before each use, to test follow the instruction of pump.
- If the supply cord is damaged, it must be replaced by the manufacturer, service agent or similarly qualified persons in order to avoid a hazard.
- To reduce the risk of electric shock, do not use extension cord to connect unit to electric supply; provide a properly located outlet.
- No part of the appliance is to be located above the bath during use.
- Parts containing live parts, except parts supplied with safety extra-low voltage not exceeding 12V, must be inaccessible to a person in spa pool; Parts incorporating electrical components, except remote control devices, must be located or fixed so that they cannot fall into the spa pool.
- The spa must be supplied by earthed power source.
- **Warning: Always keep plug dry, plug in with wet plug is definitely forbidden!**
- It is necessary to have the plug accessible after installation of the spa.

CAUTION: In order to avoid a hazard due to inadvertent resetting of the thermal cut-out, this appliance must not be supplied through an external switching device, such as a timer, or connected to a circuit that is regularly switched on and off by the utility.

After using your spa for 3-5 years, you should contact your local qualified maintenance technician to ensure the safety and performance of the spa. The main components, such as heating element, air blower motor and non-return valves within the electric unit should be checked and replaced (if necessary) by professional persons.

- **TO AVOID ELECTRIC SHOCK, DO NOT USE THE SPA WHEN IT IS RAINING.**
- Never wear your contact lenses when in your spa.
- Do not use spa during chemical maintenance.
- The power source on the wall of building should keep more than 4m away from pool and at a height of 1.2m at least.
- Extension cords can't be used.
- Don't plug or unplug the appliance if hand is wet.
- Always unplug the appliance:
 - on rainy days
 - before cleaning or other maintenance
 - if leave it unattended on holidays
- Cleaning and user maintenance must be performed by an adult above 18 years old who is familiar with the risk of electric shock.
- When the appliance will be not used for a long time, such as in the winter, the spa or pool set

should be disassembled and stored indoor.

- **Caution:** Read the instruction before using the appliance and installation or reassemble every time.
- Safekeeping the instruction. If instruction is missed, please contact with manufacturer or search it in website www.bestwaycorp.com
- **Warning: For electric safety, a PRCD is incorporated in the power cord, if the leakage current is detected more than 10mA, the device will operate and cut-off the power supply, in such case, please unplug and stop using the spa at once. Don't reset the product by yourself. And you must contact the local service agent to check and repair the product.**
- This appliance can be used by children aged from 8 years and above and persons with reduced physical, sensory or mental capabilities or lack of experience and knowledge if they have been given supervision or instruction concerning use of the appliance in a safe way and understand the hazards involved. Children shall not play with the appliance. Cleaning and user maintenance shall not be made by children without supervision. (For EU market)
This appliance is not intended for use by persons (including children) with reduced physical, sensory or mental capabilities, or lack of experience and knowledge, unless they have been given supervision or instruction concerning use of the appliance by a person responsible for their safety. Children should be supervised to ensure that they do not play with the appliance. (For market other than EU)
- Water attracts children; always attach a spa cover after each use.
- Do not bury cord. Locate cord to minimize abuse from lawn mowers, hedge trimmers, and other equipment.
- Risk of Accidental Drowning. Extreme caution must be exercised to prevent unauthorized access by children. To avoid accidents, ensure that children can not use this spa unless they are supervised at all times.
- **RISK OF INJURY.** Never operate spa if inlet / outlet pipes are broken or missing. Never attempt to replace the inlet / outlet pipes. Always consult your local Aftersales centre.
- **RISK OF ELECTRIC SHOCK.** Install at least 2m from all metal surfaces.
- **RISK OF ELECTRIC SHOCK.** Never operate any electrical appliance when in your spa or when your body is wet. Never place any electric appliance, such as a light, telephone, radio, or television, within 2m of spa.
- During pregnancy, soaking in hot water may cause damage to the fetus. Limit use to 10 minutes at a time.
- **TO REDUCE THE RISK OF INJURY:**
 - A. The water in a spa should never exceed 40°C (104°F). Water temperature between 38°C (100°F) and 40°C (104°F) is considered safe for a healthy adult. Lower water temperatures are recommended for young children and when spa use exceeds 10 minutes.
 - B. Since excessive water temperatures have a high potential for causing fetal damage during the early months of pregnancy, pregnant or possibly pregnant women should limit spa water temperature to 38°C (100°F).
 - C. Before entering a spa, the user should measure the water temperature with an accurate thermometer since the tolerance of water temperature regulating device varies.
 - D. The use of alcohol, drugs, or medication before or during spa use may lead to unconsciousness with the possibility of drowning.
 - E. Obese persons and persons with a history of heart disease, low or high blood pressure, circulatory system problems, or diabetes should consult a physician before using a spa.
 - F. Persons using medication should consult a physician before using a spa since some medication may induce drowsiness while other medication may affect heart rate, blood pressure, and circulation.
- **TO REDUCE THE RISK OF INJURY:** Never pour water with a temperature higher than 40°C (104°F) into the spa pool directly.
- The use of alcohol, drugs, or medication can greatly increase the risk of fatal hyperthermia. Hyperthermia occurs when the internal temperature of the body reaches a level that is several degrees above the normal body temperature of 37°C (98.6°F). The symptoms of hyperthermia include an increase in the internal temperature of the body, dizziness, lethargy, drowsiness, and fainting. The effects of hyperthermia include failure to perceive heat; failure to recognize the need to exit spa or hot tub; unawareness of impending hazard; fetal damage in pregnant

women; physical inability to exit the spa or hot tub; and unconsciousness resulting in the danger of drowning.

- Electric installations should follow national wiring rules, consult a qualified electrician with any questions.

CONSULT YOUR PHYSICIAN FOR RECOMMENDATIONS.

CAUTION:

- The spa should not be setup or left out in temperature lower than 4°C (40°F).
- Do not use the spa alone.
- People with infectious diseases should not use a spa.
- Do not use the spa immediately following strenuous exercise.
- Always enter and exit the spa slowly and cautiously. Wet surfaces are slippery.
- To avoid damage to the pump, the spa must never be operated unless the spa is filled with water.
- Immediately leave spa if the user feels uncomfortable or sleepy.
- Never add water to chemicals. Always add chemicals to water to avoid strong fumes or violent reactions that may result in hazardous chemical spray.
- Regarding the information pertaining to cleaning, maintenance of water, and disposal of water, please see section "MAINTENANCE".
- Regarding the information pertaining to the installation, thanks to refer to the below paragraph of the manual.

NOTE:

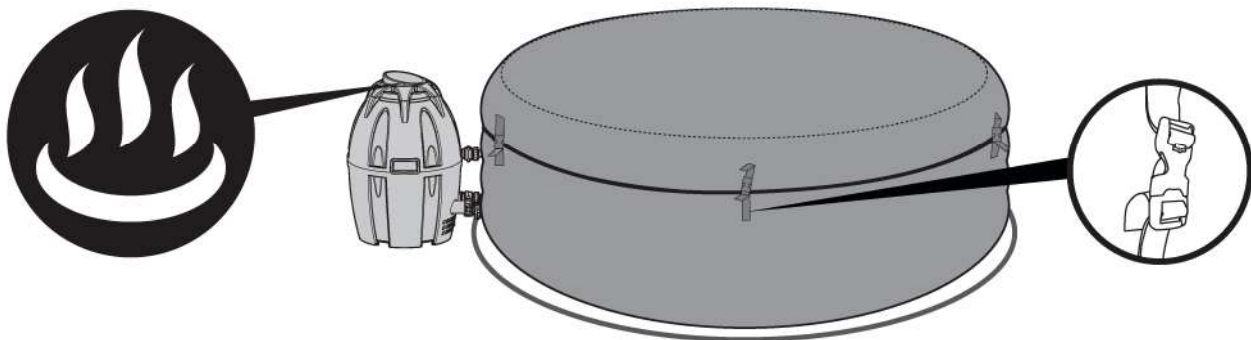
- Please examine equipment before use. Notify Bestway at the customer service address listed on this manual for any damaged or missing parts at the time of purchase. Verify that the equipment components represent the models that you had intended to purchase.
- This product is not intended for commercial use.

SAVE THESE INSTRUCTIONS

IMPORTANT !

To reach 40°C (104°F), the heating duration required is base on the starting water temperature and ambient temperature, the data below is purely for reference. To display the current water temperature, run the filter system for at least a minute.

Ambient Temperature	Water Temperature	Set Temperature	Heating Duration
10°C(50°F)	10°C(50°F)	40°C(104°F)	18.5h
15°C(59°F)	15°C(59°F)	40°C(104°F)	15h
20°C(68°F)	20°C(68°F)	40°C(104°F)	11.5h
25°C(77°F)	25°C(77°F)	40°C(104°F)	8.5h
30°C(86°F)	30°C(86°F)	40°C(104°F)	5.5h



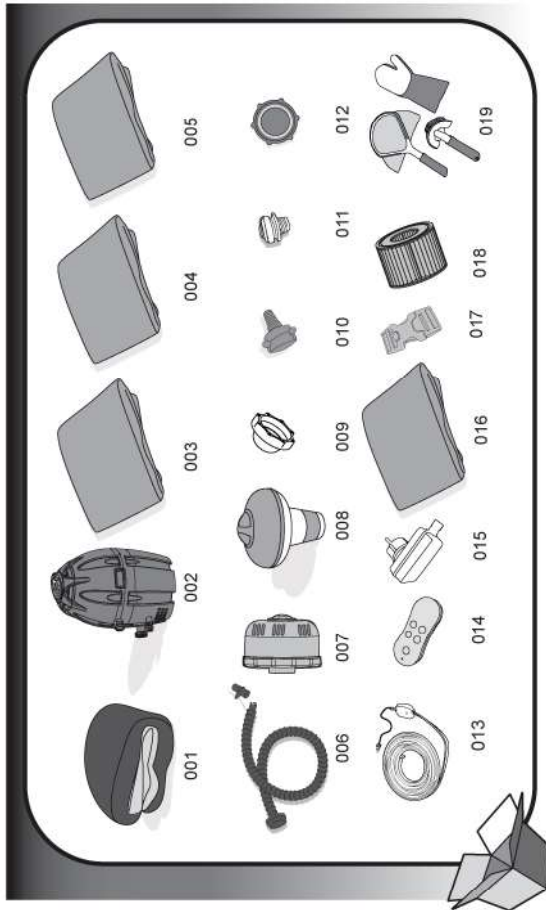
Be sure to cover the spa with the spa cover whenever the heating function is activated. Leaving the spa uncovered will increase the heating duration required.

Please do not use the spa when ambient temperature is lower than 4°C (39°F).

SPECIFICATIONS FOR LAY-Z-SPA™ New York AirJet (#14295)

Capacity:	4-6 Adults	Massaging Turbo Blower:	800W	Increased Heat Rate:	Approximately 1.5-2°C/h (3-4°F/h)
Water Capacity (80%):	806 L (213 gal)	Heat Element:	2,000W at 20°C	Actual Water Flow:	1,325 L/h (350 gal/h)
Inflated Size:	1.96m x 66cm (77" x 26")	Pump:	50W Circulation Filter Pump	Power Rate:	220-240V AC, 2,050W at 20°C
Filled Weight:	840 kg (1,851 Lb)	Temperature Capacities:	40°C (104°F)	Working Pressure:	0.8PSI (0.055Bar)

NOTE: The above heating rate is based on a lab test conducted with an ambient temperature of 25°C (77°F) and above.



Part N.	Part Code	Description	QTY
001	54148TASS16	Pool liner	1
002	P4D148ASS17	Spa Heater	1
003	P5663GASS17	Top Leatheroid Cover	1
004	P5665TASS17	Liner Leatheroid Cover	1
005	54148GASS16	Inflatable Cover	1
006	P6931	Inflation Hose	1
007	P6653	Filter Set	1
008	58426S17	Chemical Floater	1
009	P6575	Stoppers	2
010	P6932	Hose Adapter	1
011	F4A024ASS	Screw Valve	1
012	P6611	Cover Adapter A	1
013	P61670	LED Strip	1
014	P61232	Remote Control	1
015	P61671	Transformer	1
016	58321(H)S15	Ground Mat	1
017	F6414ASS	Buckle	8
018	58323	Filter Cartridge (VI)	2
019	58421S17K	All in one tool set	1

INSTALLATION

Selected Location

WARNING: The selected location has to be able to support of supporting the expected load.

WARNING: An adequate drainage system has to be provided to deal with overflow water for both indoor and outdoor installations.

IMPORTANT: Because of the combined weight of the Lay-Z-Spa, water, and users, it is extremely important that the base where the Lay-Z-Spa is installed is smooth, flat, level and capable of uniformly supporting the weight for the entire time the Lay-Z-Spa is installed (not on the carpet or other similar material). If the Lay-Z-Spa is placed on a surface, which does not meet these requirements, any damage caused by improper support is not covered under the manufacturer's warranty. It is the responsibility of the Lay-Z-Spa owner to assure the integrity of the site at all times.

1. Indoor Installation:

Be aware of special requirements if you install the spa indoors.

- Humidity is a natural side effect with Lay-Z-Spa installation. Determine the effects of airborne moisture on exposed wood, paper, etc. in the proposed location. To minimize these effects it is best to provide plenty of ventilation to the selected area. An architect can help determine if more ventilation is needed.

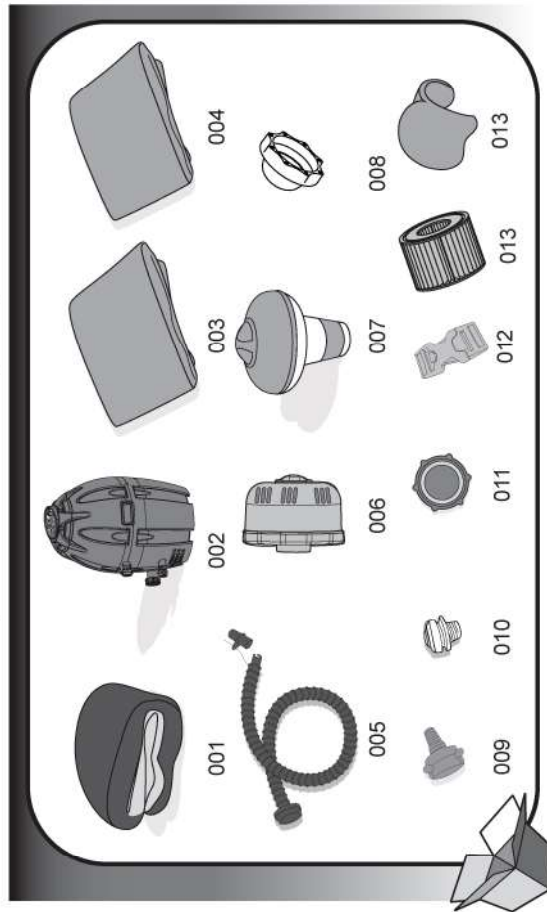
2. Outdoor Installation:

- During filling, draining or when in use, water may flow out of the spa. Therefore the Lay-Z-Spa should be installed near a floor drain.
- Do not leave the spa's surface exposed to direct sunlight for long periods of time.

SPECIFICATIONS FOR LAY-Z-SPA™ Havana AirJet (#14293)

Capacity:	2-4 Adults	Massaging Turbo Blower:	800W	Increased Heat Rate:	Approximately 1.5-2°C/h (3-4°F/h)
Water Capacity (80%):	669 L (177 gal)	Heat Element:	2,000W at 20°C	Actual Water Flow:	1,325 L/h (350 gal/h)
Inflated Size:	1.80m x 66cm (7'1" x 26")	Pump:	50W Circulation Filter Pump	Power Rate:	220-240V AC, 2,050W at 20°C
Filled Weight:	696 kg (1,534 Lb)	Temperature Capacities:	40°C (104°F)	Working Pressure:	0.8PSI (0.055Bar)

NOTE: The above heating rate is based on a lab test conducted with an ambient temperature of 25°C (77°F) and above.

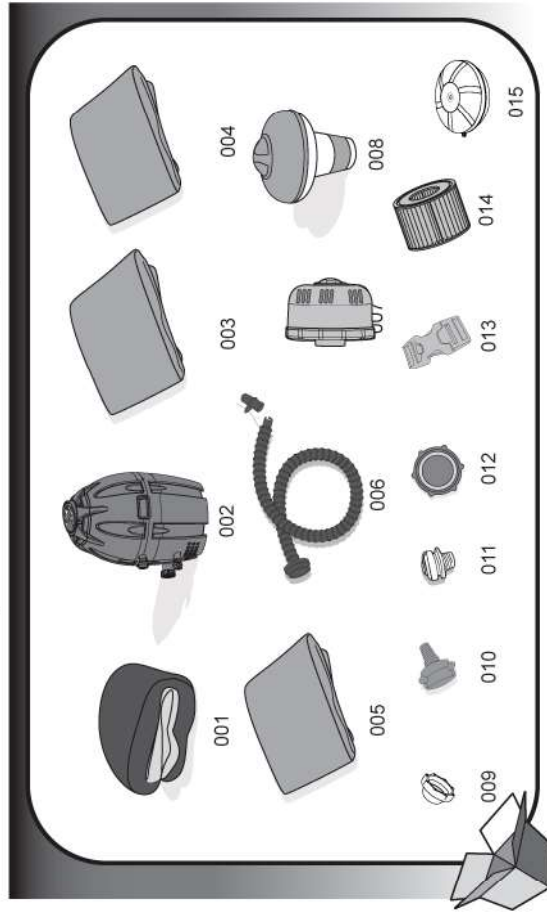


Part N.	Part Code	Description	QTY
001	14293TASS17	Pool liner	1
002	P4H054GBASS17	Spa Heater	1
003	P5662ASS17	Top Reinforce Cover	1
004	54123GASS17	Inflatable Cover	1
005	P6931	Inflation Hose	1
006	P6653	Filter Set	1
007	58426S17	Chemical Floater	1
008	P6575	Stoppers	2
009	P6932	Hose Adapter	1
010	F4A024ASS	Screw Valve	1
011	P6611	Cover Adapter A	1
012	F6414ASS	Buckle	6
013	58323	Filter Cartridge (VI)	2
014	58317S17K	Pillow	2

SPECIFICATIONS FOR LAY-Z-SPA™ Saint Tropez AirJet (#14294)

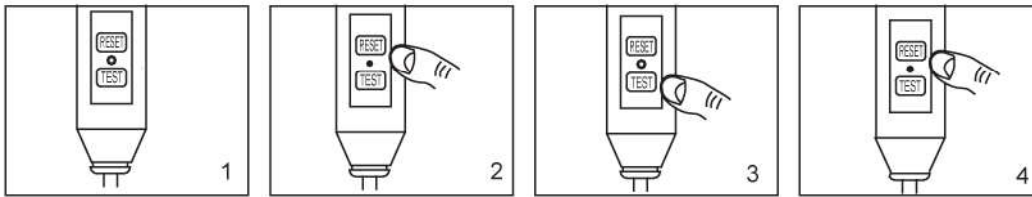
Capacity:	4-6 Adults	Massaging Turbo Blower:	800W	Increased Heat Rate:	Approximately 1.5-2°C/h (3-4°F/h)
Water Capacity (80%):	935 L (247 gal)	Heat Element:	2,000W at 20°C	Actual Water Flow:	1,325 L/h (350 gal/h)
Inflated Size:	1.96m x 61cm (7'7" x 24")	Pump:	50W Circulation Filter Pump	Power Rate:	220-240V AC, 2,050W at 20°C
Filled Weight:	966 kg (2,130 Lb)	Temperature Capacities:	40°C (104°F)	Working Pressure:	0.8PSI (0.055Bar)

NOTE: The above heating rate is based on a lab test conducted with an ambient temperature of 25°C (77°F) and above.



Part N.	Part Code	Description	QTY
001	54112TASS15	Pool liner	1
002	P4D148GBASS17	Spa Heater	1
003	P5663GASS17	Top Leatheroid Cover	1
004	P5664TASS17	Liner Leatheroid Cover	1
005	54112GASS15	Inflatable Cover	1
006	P6931	Inflation Hose	1
007	P6653	Filter Set	1
008	58426S17	Chemical Floater	1
009	P6575	Stoppers	2
010	P6932	Hose Adapter	1
011	F4A024ASS	Screw Valve	1
012	P6611	Cover Adapter A	1
013	F6414ASS	Buckle	8
014	58323	Filter Cartridge (VI)	2
015	P61714	LED Floating pool light	1

PRCD Test



NOTE: Drawings for illustration purpose only. May not reflect actual product. Not to scale.

1. Insert the plug.
2. Press the “RESET” button, the indicator light turns on.
3. Press the “TEST” button, the indicator light turns off.
4. Press the “RESET” button, the indicator light turns on.
5. Press the “On/Off” button for 2 seconds, your pump is ready to use.

WARNING: The PRCD plug must be tested before each use to avoid risk of electric shock.

WARNING: Before inserting plug into a power outlet, make sure the current rate of the power outlet is suitable for the pump.

WARNING: Do not use the pump if this test fails and contact our Aftersales Service.

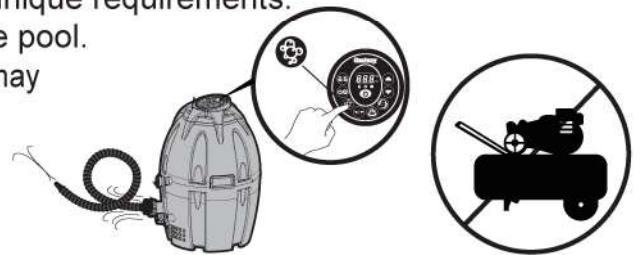


NOTE: When inflating, you will notice that air will be expelled from the area where the air hose connects to the pump, this is normal for technique requirements.

NOTE: Do not use an air compressor to inflate the pool.

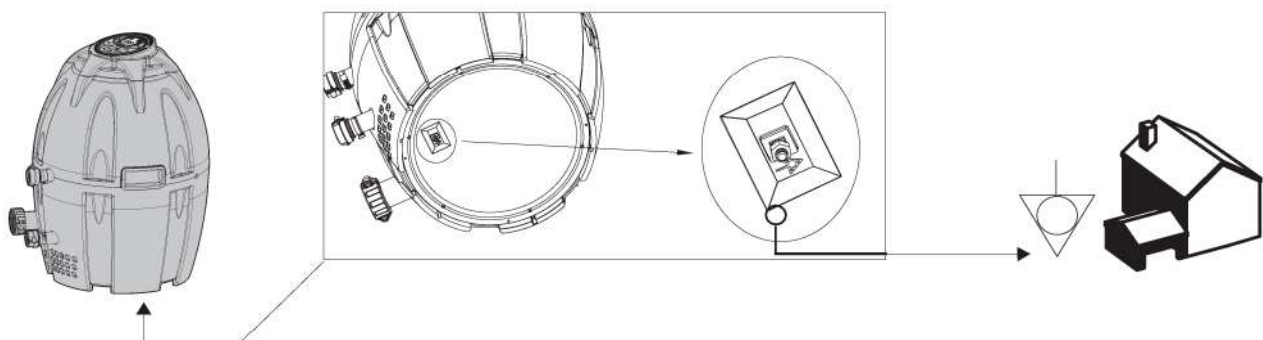
NOTE: Do not drag the pool on rough ground as this may cause damage to the pool liner.

NOTE: Inflation time for reference only.

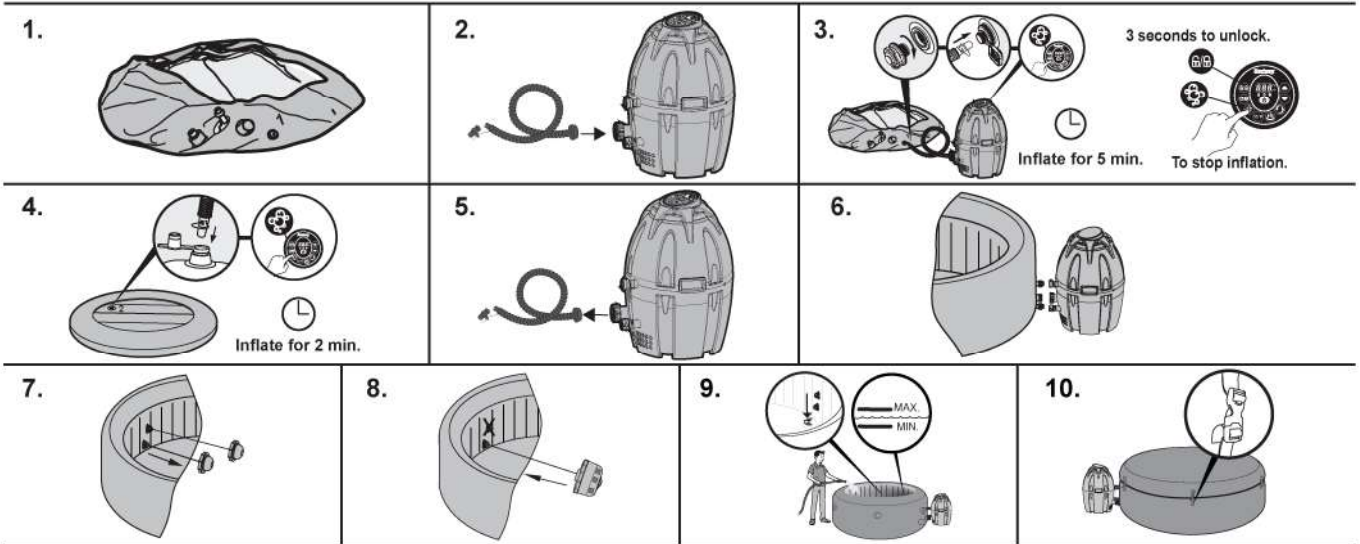


SPA PUMP EQUIPOTENTIAL BONDING TERMINAL

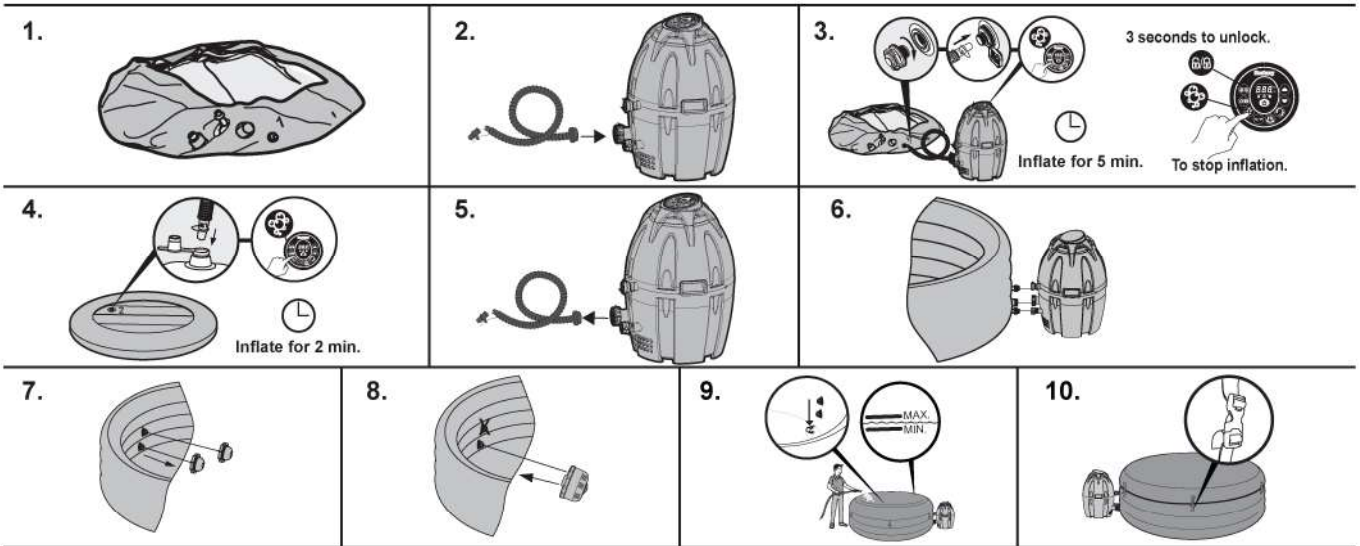
It is recommended to arrange for a qualified electrician to connect the spa pump to an equipotential bonding terminal using a minimum 2.5mm² solid copper conductor.



Havana AirJet (#14293)



Saint Tropez AirJet (#14294)



New York AirJet (#14295)

