


Bestway®

www.bestwaycorp.com
Visit Bestway YouTube channel 

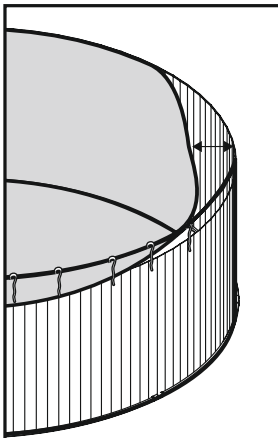


WARNING



CAUTION

Do not push or lean on the steel wall, this may damage or deform the pool wall.



NOTE: The liner of the steel wall pool is designed to be smaller than the steel wall for technical reasons. If you find it difficult to assemble the liner, place the liner under the sun for one hour which will make it more pliable. You should then be able to assemble the liner step by step, stretching it by hand at the same time. This procedure will not damage the liner.

HYDRIMUM™ SPLASHER POOLS OWNER'S MANUAL



! WARNING !

Carefully read, understand, and follow all information in this user manual before installing and using the swimming pool. These warnings, instructions, and safety guidelines address some common risks of water recreation, but they cannot cover all risks and dangers in all cases. Always use caution, common sense, and good judgment when enjoying any water activity. Retain this information for future use.

Non Swimmers safety

- Continuous, active, and vigilant supervision of weak swimmers and non-swimmers by a competent adult is required at all times (remembering that children under five are at the highest risk of drowning).
- Designate a competent adult to supervise the pool each time it is being used.
- Weak swimmers or non-swimmers should wear personal protection equipment when using the pool.
- When the pool is not in use, or unsupervised, remove all toys from the swimming pool and its surrounding to avoid attracting children to the pool.

Safety devices

- In order to prevent children from drowning, it is recommended to secure the access to the pool with a protection device. In order to prevent children climbing from the inlet and outlet valve, it is recommended to install a barrier (and secure all doors and windows, where applicable) to prevent unauthorized access to the swimming pool.
- Barriers, pool covers, pool alarms, or similar safety devices are helpful aids, but they are not substitutes for continuous and competent adult supervision.

Safety equipment

- It is recommended to keep rescue equipment (e.g. a ring buoy) by the pool.
- Keep a working phone and a list of emergency phone numbers near the pool.

Safe use of the pool

- Encourage all users especially children to learn how to swim.
- Learn Basic Life Support (Cardiopulmonary Resuscitation - CPR) and refresh this knowledge regularly. This can make a life-saving difference in the event of an emergency.
- Instruct all pool users, including children, what to do in case of an emergency.
- Never dive into any shallow body of water. This can lead to serious injury or death.
- Do not use the swimming pool when using alcohol or medication that may impair your ability to safely use the pool.
- When pool covers are used, remove them completely from the water surface before entering the pool.
- Protect pool occupants from water related illnesses by keeping the pool water treated and practicing good hygiene. Consult the water treatment guidelines in the user's manual.
- Store chemicals (e.g. water treatment, cleaning or disinfection products) out of the reach of children.

- Use the signage as outlined below. Signage is to be displayed in a prominent position within 2m of the pool.



- Keep children under supervision in the aquatic environment.
- No diving.
- Removable ladders shall be placed on a horizontal surface.
- Irrespective of materials used for swimming pool construction, accessible surfaces have to be checked regularly to avoid injuries.
- Regularly monitor bolts and screws; splinters or any sharp edges to avoid injuries.

ATTENTION: Do not leave the drained pool outside. The empty pool is liable to being deformed and/or displaced due to wind.

- If have a filter pump, refer to the pump's manual for instructions.

WARNING! The pump cannot be used while people are inside the pool!

- If have a ladder, refer to the ladder's manual for instructions.

WARNING! The use of a swimming pool implies compliance with the safety instructions described in the operating and maintenance guide. In order to prevent drowning or other serious injuries, pay particular attention to the possibility of unexpected access to the swimming pool by children under 5 years by securing the access to it, and, during the bathing period, keep them under constant adult supervision.

Please read carefully and keep for future reference

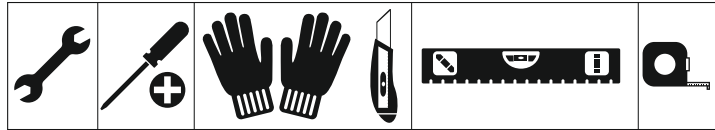
Parts Reference

 #01	 #02	 #03	
 #04	 #05	 #06	 #07
 #08	 #09	 #10	
 #11	 #12	 #13	

PART LIST

NO.	Name	#56668 #56669		#56377 #56378		#56386 #56381		#56607 #56609		#56611 #56613	
		10'10" x 33"		12' x 36"		15' x 36"		16' x 42"		18' x 48"	
		Qty	Spare Part No.	Qty	Spare Part No.	Qty	Spare Part No.	Qty	Spare Part No.	Qty	Spare Part No.
1	Rail Cover	18	P61246	20	P61246	24	P61246	24	P61246	28	P61246
2	M6 Cap Nut	18	P61247	19	P61247	19	P61247	23	P61247	26	P61247
3	M6x11 Bolt	18	P6746	19	P6746	19	P6746	23	P6746	26	P6746
4	Control Valve	2	P6(H1)1229	2	P6(H1)1229	2	P6(H1)1229	2	P6(H1)1229	2	P6(H1)1229
5	Pool Inlet Strainer	1	P6H1317	1	P6H1317	1	P6H1317	1	P6H1317	1	P6H1317
6	Pool Outlet Strainer	1	P6H1323	1	P6H1323	1	P6H1323	1	P6H1323	1	P6H1323
7	Liner	1	56668ASS18	1	56377ASS18	1	56386ASS18	1	56607ASS17	1	56611ASS17
8	Hose Adaptor	2	F6H202	2	F6H202	2	F6H202	2	F6H202	2	F6H202
9	3M Self-adhesive Tape	1	P61743	1	P61248	1	P61248	1	P61460	1	P6756
10	Rail	18	P61744	20	P61492	24	P61493	24	P61458	28	P61459
11	Steel Wall	1	P61741	1	P61433	1	P61434	1	P61435	1	P61436
12	Clips	20		20		20		20		20	
13	Rail Connector	36	P61422	40	P61422	48	P61422	48	P61422	56	P61422

Tools Required (not included):



Installation usually takes approximately 1 hour with 2-3 people excluding earthworks and filling.

SELECTING A SUITABLE LOCATION

WARNING: Leveling is extremely important.

Carefully select the location for your new pool. This is the most important decision you will have to make to ensure the safety and success of your pool's construction. A poorly-chosen location could cause problems in the future that may cause injury, death or financial loss. Read carefully the checklist below when selecting where to set up your pool.

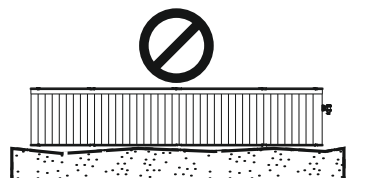
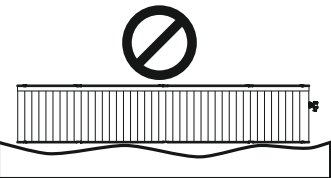
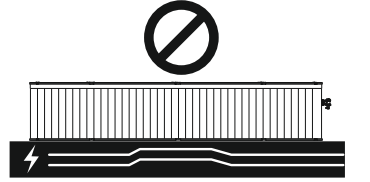
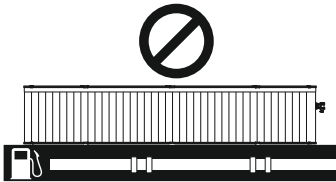
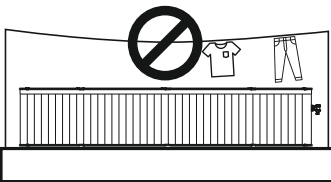
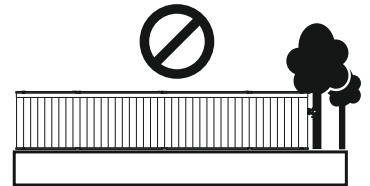
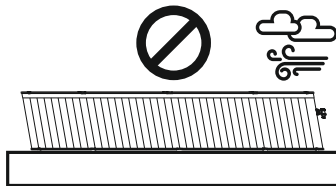
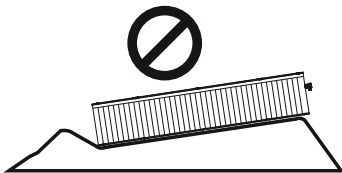
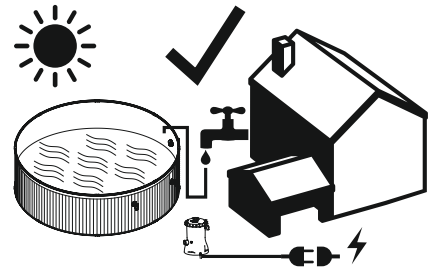
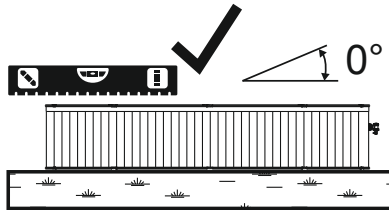
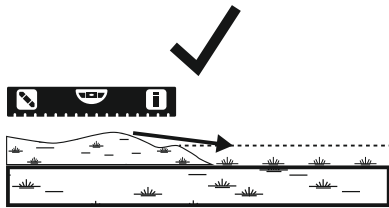
Acceptable:

- Flat, level, firm and dry ground with easy access to all sides of the pool
- Exposed to direct sunlight
- Access to electricity for running the filter pump and other pool accessories
- Easy to access to a water source
- Protection from wind
- Position the pool near an adequate system to discharge the pool

Unacceptable:

- Sloping, uneven ground
- Sandy, rocky or soggy ground
- Close to wooden construction (e.g. pergolas and decking)
- Next to trees
- Overhead wires and clotheslines
- Drains, electric wires or gas pipelines underneath the site
- Poor or little drainage
- High flood risk locations
- High wind conditions

NOTE: Remove the higher ground rather than filling the low laying ground. All grass and sod under entire pool area must be removed.

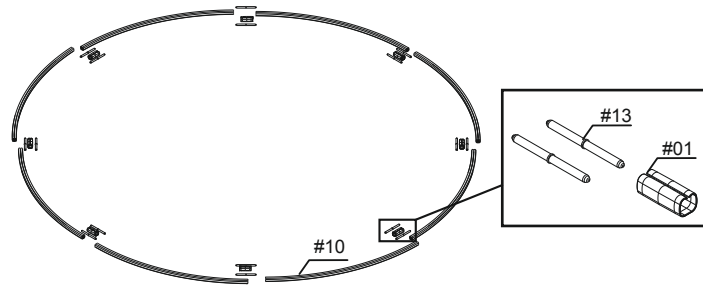


POOL ASSEMBLY

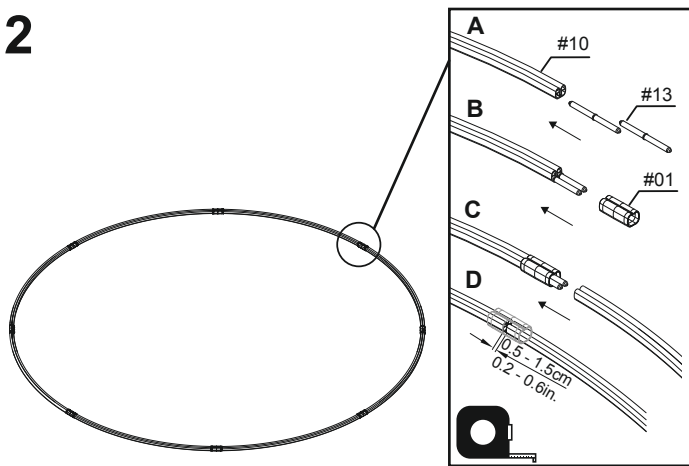
Please refer to diagram steps.

1

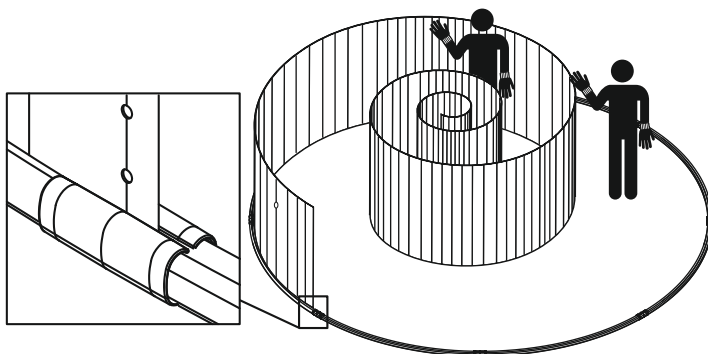
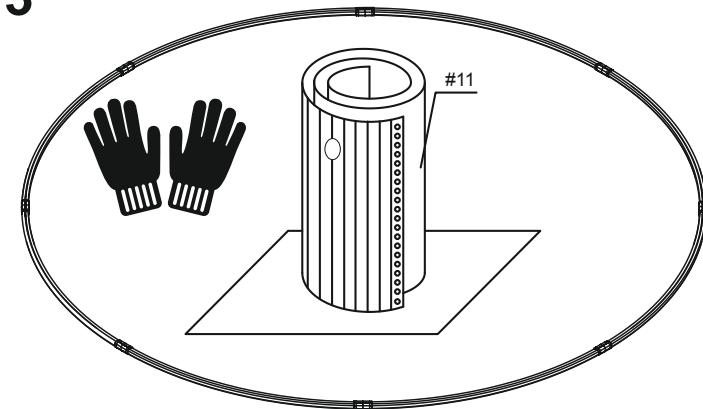
- 3.30m x 84cm
(10'10" x 33") X 9
- 3.60m x 90cm
(12' x 36") X 10
- 4.60m x 90cm
(15' x 36") X 12
- 4.88m x 1.07m
(16' x 42") X 12
- 5.49m x 1.20m
(18' x 48") X 14



2

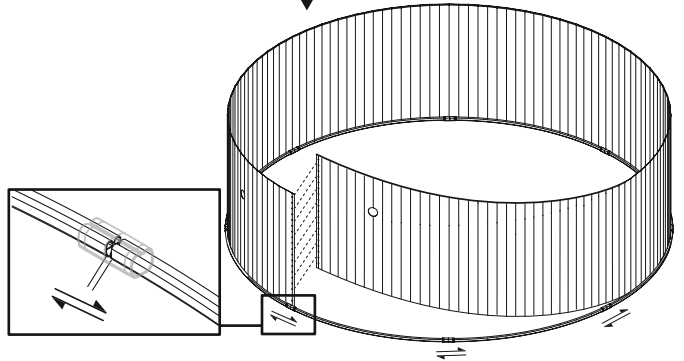
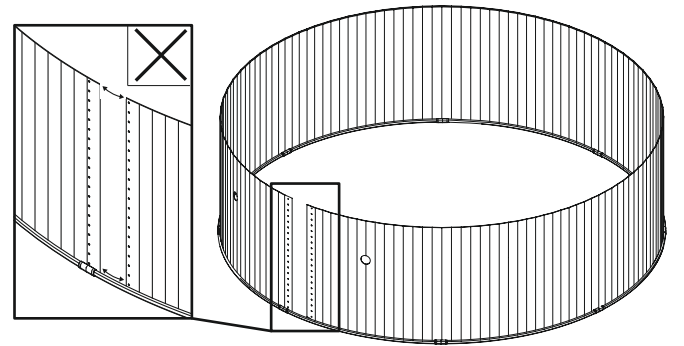


3

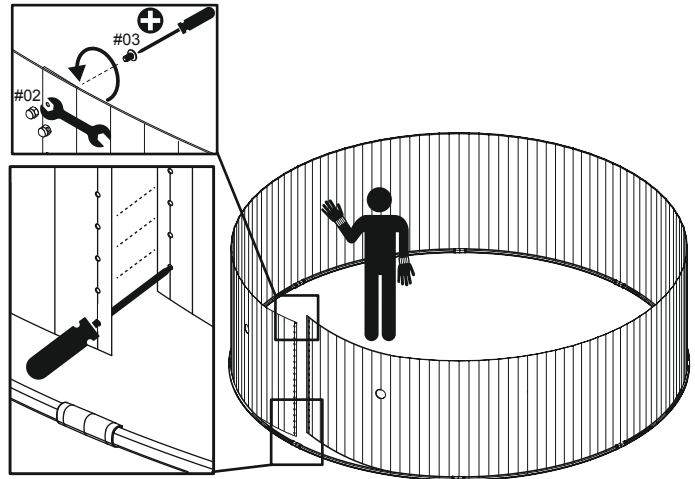


4

NOTE: If the holes on the ends of the steel wall do not align, simply lift up one of the sides of the steel wall and adjust the space between the rails until the holes align.

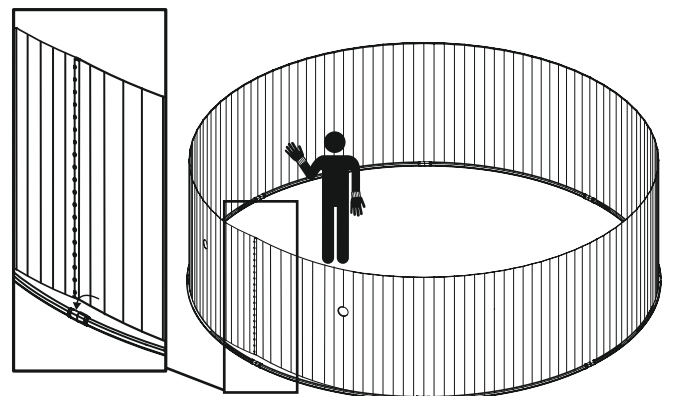


5

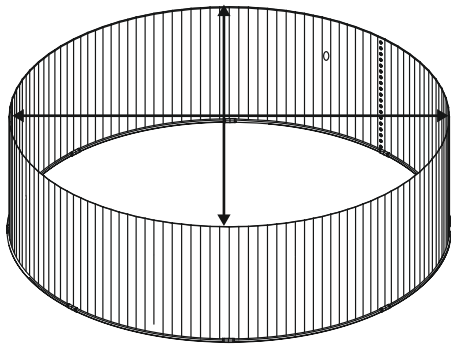
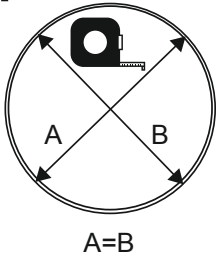


IMPORTANT: If the holes on the ends of the steel wall do not align (show in step 4), do not use the screwdriver to align the holes as this will cause damage to the holes themselves.

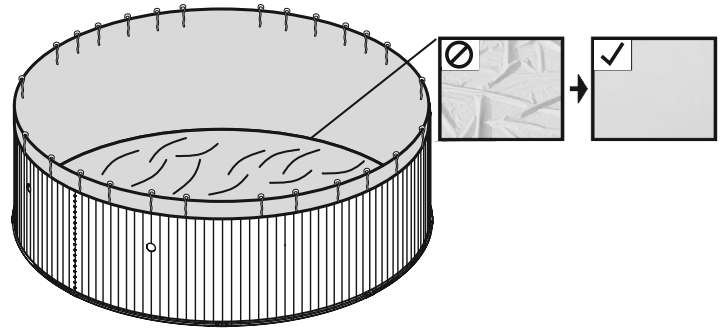
6



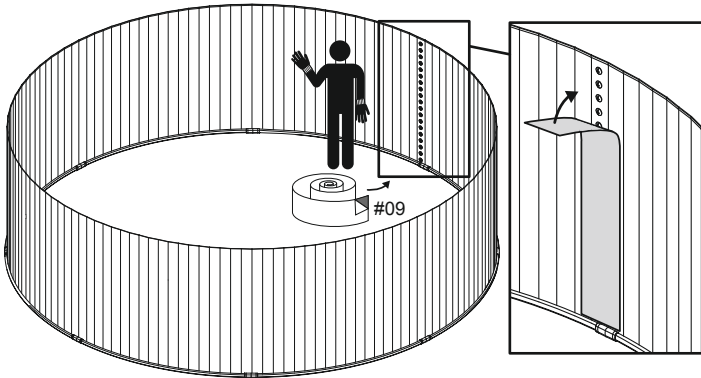
7



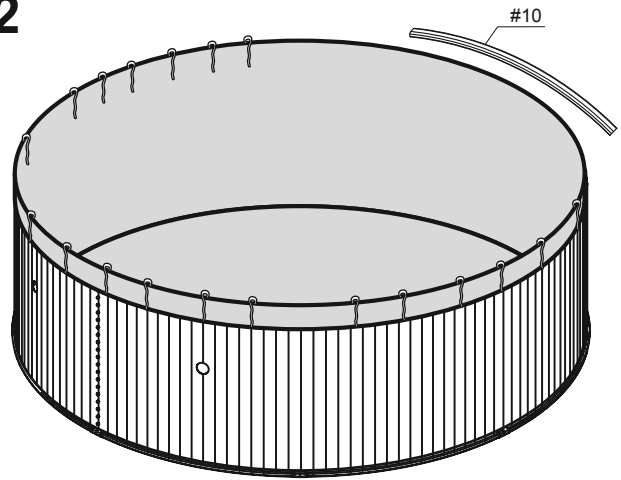
11



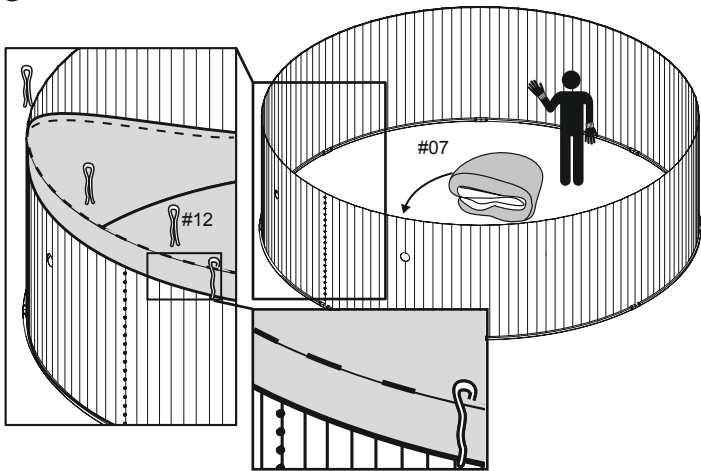
8



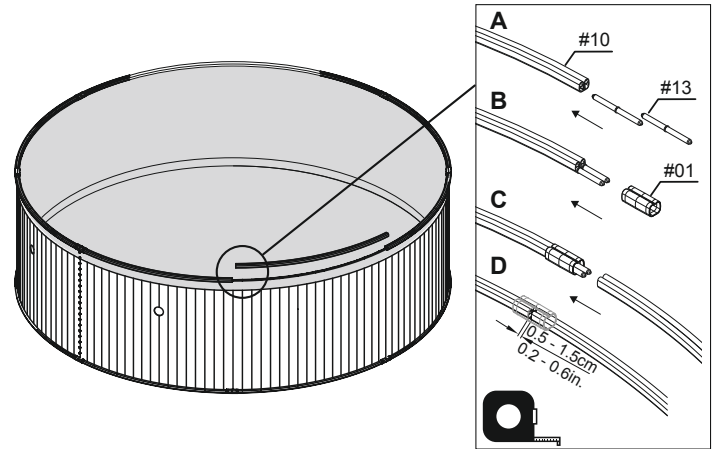
12



9

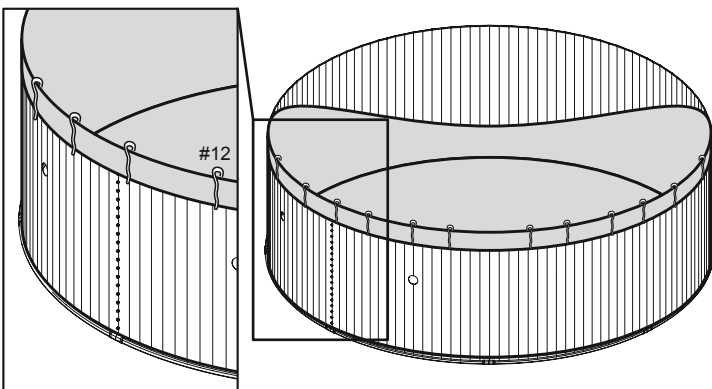


13

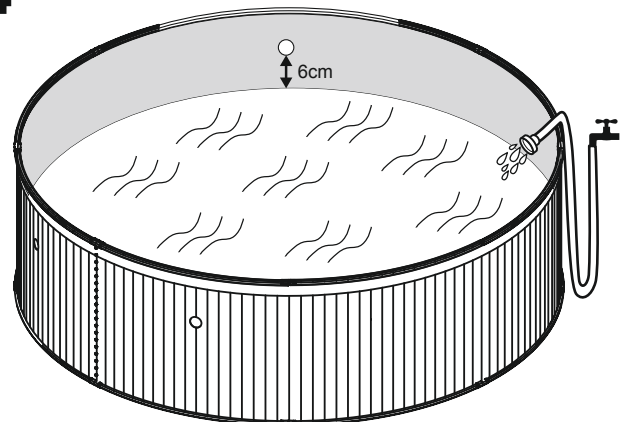


Connection Valve Assembly

10



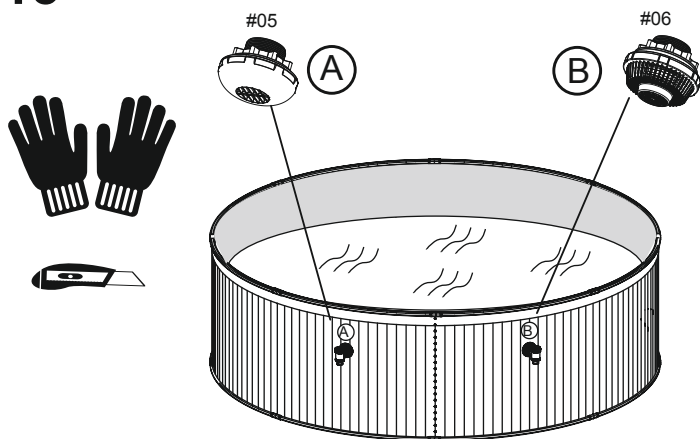
14



IMPORTANT: Before connecting the valve to the pool, first fill the pool with water to a level that leaves roughly 5-6 cm (2" - 2.5") of space between the bottom of the valve and the top of the water surface.

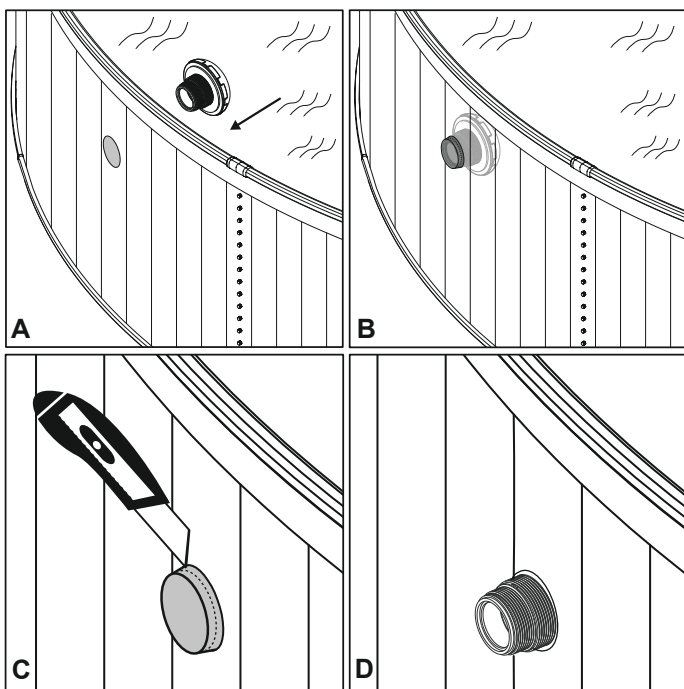
WARNING! Never permanently install the connection valve before the water is within a few centimeters of them because the liner has to be properly taut from the pressure of the water.

15

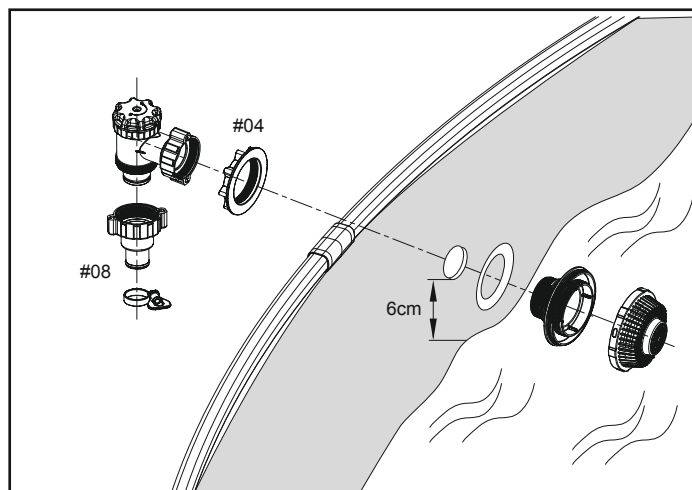


NOTE: Be careful the splinters or any sharp edges when cutting the pool.

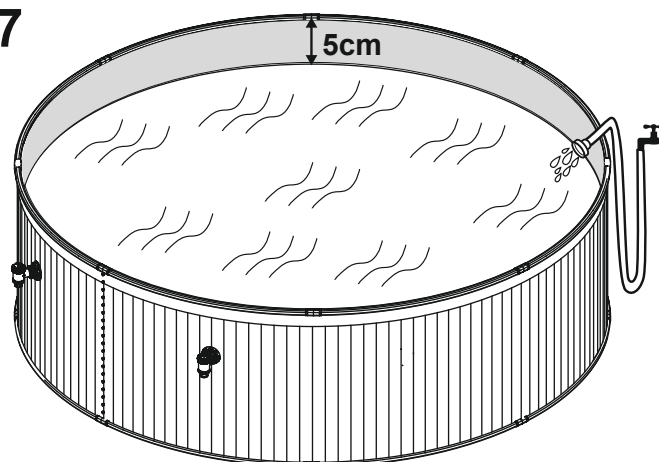
IMPORTANT: Cutting more liner than necessary will damage and void the pool liner, so please trim with extra care.



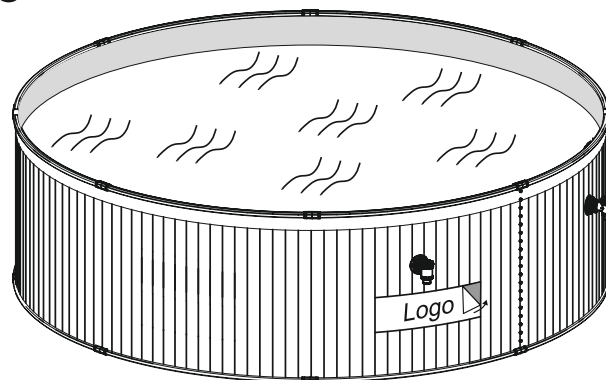
16



17



18



POOL MAINTENANCE

Warning: If you do not adhere to the maintenance guidelines covered herein, your health might be at risk, especially that of children. Pool water treatment is essential for the safety of the users. Using chemicals inappropriately will cause property damage and personal injury.

NOTE: The pump is used to circulate the water and to filter small particles. In order to keep your pool water clean and hygienic, you must also add chemicals.

1. It is recommended not to fill the pool with catchment water, drilling water, or drainage well water: these waters generally contain polluted organic substances including nitrates and phosphates. Filling pools with water from the public network is advised.
2. Always keep your pool clean and apply the correct pool chemicals. Unsanitary water is a serious health hazard. It is recommended to use disinfectant, flocculant, acid or alkali chemicals to treat your pool.
3. Clean the PVC liner regularly with non-abrasive brushes or a pool vacuum cleaner.
4. Throughout the season, the water filtration system must run long enough each day to clean the entire volume of water in the pool.
5. Check the filter cartridge (or sand in a sand filter) regularly and replace dirty cartridges (or sand).
6. Regularly check the screws, bolts and all the metal parts for rust. Replace if necessary.

7. If it rains, check that the water level is not higher than the specified level.
If water exceeds the specified levels, drain the pool to the specified level.
8. Do not use the pump when the pool is in use.
9. Cover the pool when not in use.
10. For pool water treatment, the pH value is very important.

ATTENTION: Do not leave the drained pool outside.

ATTENTION: Please do not clean or perform any maintenance work on the PVC liner when the temperature is lower than 5°C (41°F).

The following parameters ensure good quality water

Parameters	Values
Water clarity	clear view of the pool bottom
Colour of the water	no colour should be observed
Turbidity in FNU/NTU	max. 1,5 (preferably less than 0,5)
Nitrate concentration above that of fill water in mg/l	max. 20
Total organic carbon (TOC) in mg/l	max. 4,0
Redox potential against Ag/AgCl 3,5 m KCl in mV	min. 650
pH value	6,8 to 7,6
Free active chlorine (without cyanuric acid) in mg/l	0,3 to 1,5
Free chlorine used in combination with cyanuric acid in mg/l	1,0 to 3,0
Cyanuric acid in mg/l	max. 100
Combined chlorine in mg/l	max. 0,5 (preferably close to 0,0 mg/l)

WINTERIZATION

If you do not want to dismantle the pool in winter, please observe the following instructions:

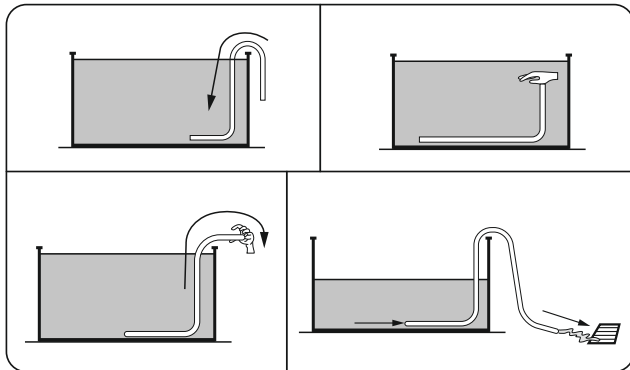
IMPORTANT: Do not drain all of the pool water. If you do so, the pool may be damaged by strong wind. Drain the water to 10cm below the inlet valve on the pool wall.

1. Drain the water to 10cm below the inlet valve on the pool wall. You can use a pump or a garden hose (Diagrams 19, 20).
2. Treat the pool water with a suitable chemical product.
3. Remove the filtration system from the pool.
You can leave the inlets/outlets attached to the pool.
4. Also remove any other pool accessories and store them in a dry and cool place.
5. Protect the pool with the pool cover.

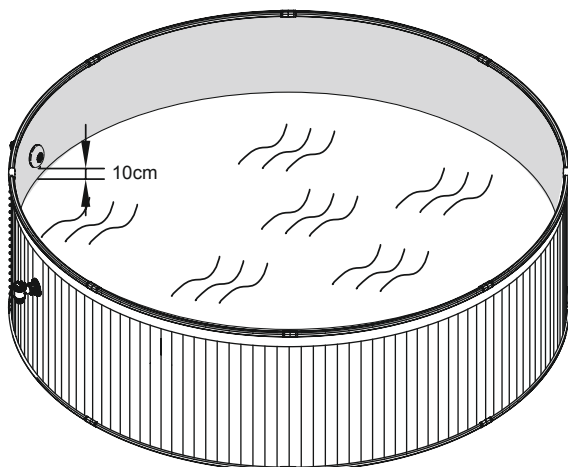
If you want to dismantle the pool in winter, please observe the following instructions:

1. Drain the pool with a garden hose, or use a drain pump to empty the pool (Diagram 19).
2. Clean all pool parts with a sponge and soap with a neutral pH. Dry them and tidy them away in a dry and clean place.

19



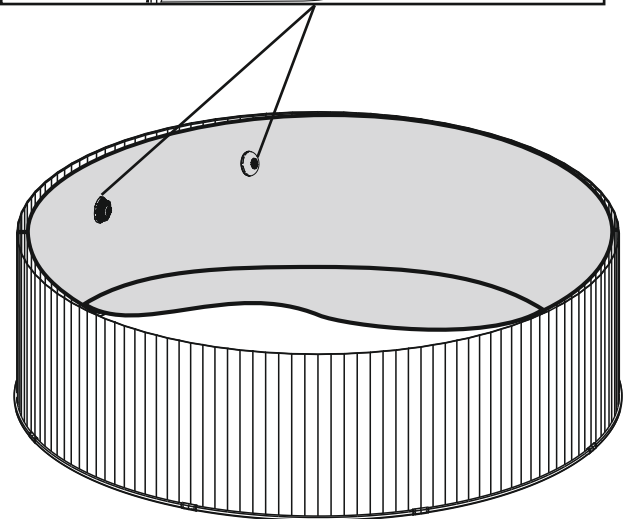
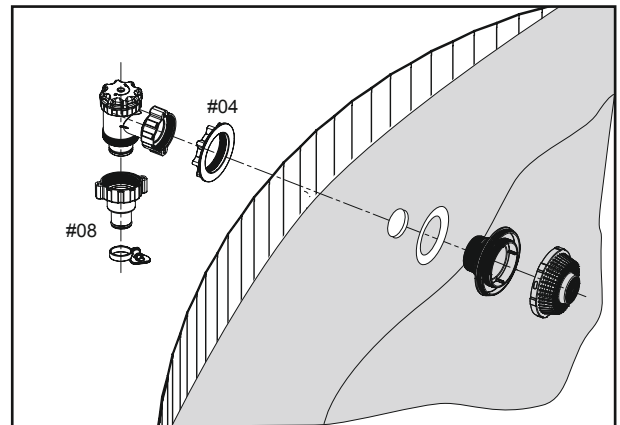
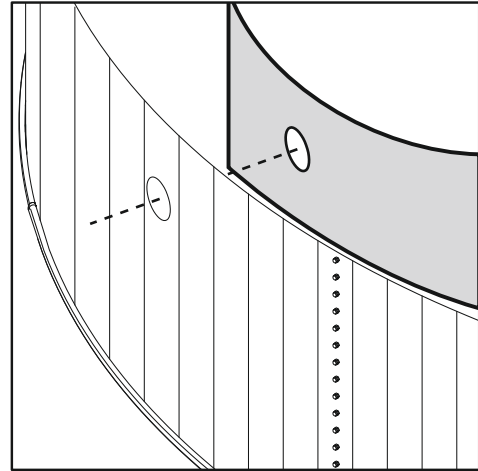
20



RE-ASSEMBLY

Carefully inspect your pool to ensure that there are no missing or damaged parts.

1. Follow steps 1 through 8 for assembling the rail and steel wall.
2. Align the holes on both the steel wall and the liner.
3. Assemble the control valve and strainer.



4. Follow steps 9 through 13 and fill the pool with water.

NOTE: If you discover the liner is damaged, please contact our After Sales Service or purchase a new liner.

Limited BESTWAY® Manufacturer's Warranty

The product you have purchased comes with a limited warranty. Bestway® stands behind our quality guarantee and assures, through a replacement warranty, your product will be free from manufacturer's defects.

The following provision is only valid within the European member state countries. The legal regulation of Directive 1999/44/EC will not be effected by this Bestway limited warranty.

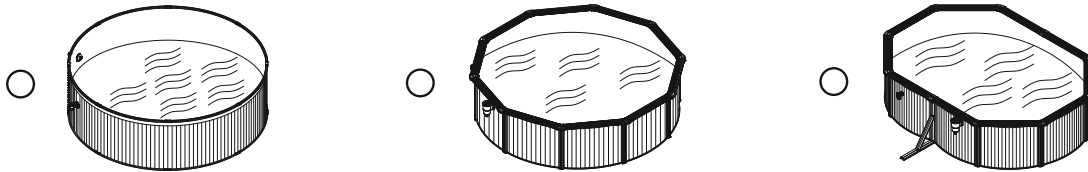
To enact a warranty claim, this form must be completed and submitted with a copy of your receipt/purchase to your local Bestway After Sales Center. Before any claims can be accepted, the Bestway After Sales Center may ask you to send a piece of the defective part to the center (e.g. a cut out of the production batch number / drain valve). Please contact your local Bestway After Sales Center before sending any documents. They will provide full instructions of what is needed for your claim.

Bestway® is not responsible for economic loss due to water or chemical costs. Bestway® will not replace any products deemed to have been damaged due to negligence or having been used outside of the owner's manual guidelines.

Bestway's warranty covers manufacturing defects discovered while unpacking the product or during use, within the limits of use and respectful of warnings and instructions given within the user's manual. This warranty applies only to products which have not been modified by any 3rd parties. The product must be stored and handled in accordance with the technical recommendations.

The Limited Warranty is valid for the period indicated above. The warranty start date is the date of sale shown on the original receipt/purchase invoice.

Please choose the type of your pool:



Date of purchase: _____ Customer Code Number: _____

TO: Bestway® Service Department Date: _____

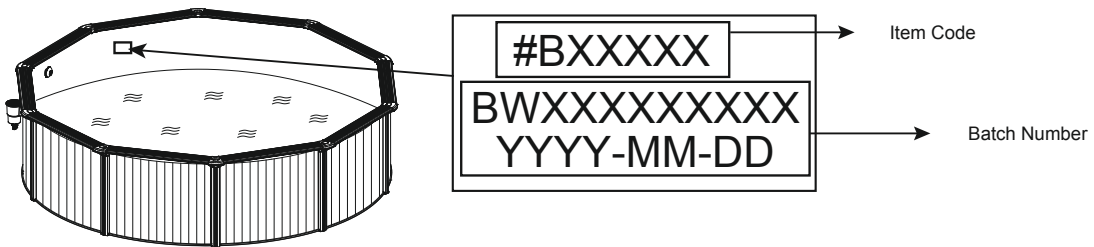
FAX/E-MAIL/TEL: Please refer to your country according to the information found on the back cover or on our website: www.bestwaycorp.com. Please provide your address details in full. **Note:** Incomplete address details will result in delayed shipments. Bestway reserves the right to charge for redelivery of undelivered packages where the recipient is at fault.

REQUIRED INFORMATION - PLEASE WRITE THE SHIPPING ADDRESS

Name: _____ Address: _____
 Zip Code: _____ Retailer: _____
 Country: _____ City: _____
 Mobile: _____ Telephone: _____
 Fax: _____ E-mail: _____

Please write the Batch Number and Item Code located near the drain valve

Batch Number: _____ Item Code: _____



Problem description

- Item is torn / Leaking
- Faulty welding
- Faulty upper ring
- Faulty drain valve
- Other (Please describe)
- Missing part (Please use the code for the missing part. This can be found in the owner's manual.)

IMPORTANT: ONLY THE DAMAGED PART WILL BE REPLACED, NOT THE COMPLETE SET.

Bestway reserves the right to request photographic evidence of defective parts, or to require sending the item for additional testing. In order to better assist you, we request all information you provide to be complete.

FOR FAQ, MANUALS, VIDEOS OR SPARE PARTS, PLEASE VISIT OUR WEBSITE: www.bestwaycorp.com
 VIDEOS ARE ALSO AVAILABLE ON OUR BESTWAY CHANNEL ON YOU TUBE: www.youtube.com/user/BestwayService

