
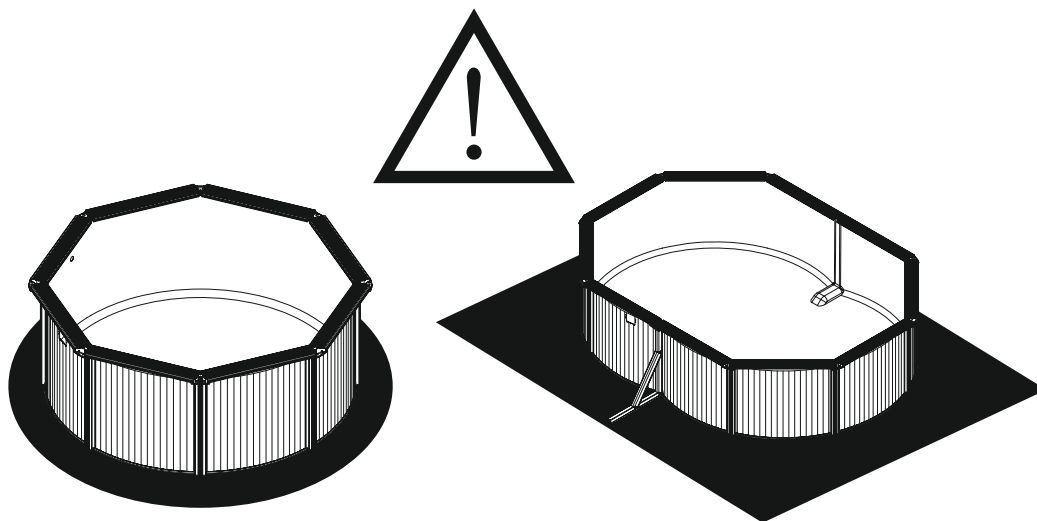


Bestway®

www.bestwaycorp.com

Visit Bestway YouTube channel 



**Attention!**

Before setting up your pool ensure your selected location is completely firm and level. Assemble the pool on the provided ground cloth.

Achtung!

Vergewissern Sie sich, dass der gewählte Untergrund absolut fest und eben ist, bevor Sie den Pool aufbauen. Montieren Sie den Pool auf dem mitgelieferten Bodentuch.

Attenzione!

Prima di montare la piscina, accertarsi che il luogo scelto per l'installazione sia compatto e in piano. Assemblare la piscina sul telo in dotazione.

Внимание!

Прежде чем устанавливать бассейн, убедитесь, что выбранное вами место твердое и совершенно ровное. Сборку бассейна выполняйте на земле на подложке, входящей в комплект.

Beakta följande!

Innan du sätter upp din pool måste du försäkra dig om att platsen är fullständigt fast och jämn. Montera ihop den på det tillhandahållna markskyddet.

Atenção!

Antes de montar a sua piscina certifique-se que a localização que seleccionou está completamente firme e nivelada. Monte a piscina sobre o pano de pavimento fornecido.

Huomaa!

Varmista ennen uima-altaan asentamista, että altaan alusta on täysin tasainen ja luja. Kokoa allas toimitukseen sisältyvän pohjakankaan päälle.

Attention!

Avant de monter votre piscine, assurez-vous que l'emplacement choisi est parfaitement ferme et plat. Assemblez la piscine sur le tapis de sol fourni.

Ważne!

Przed złożeniem basenu upewnij się, że podłoże jest twarde i równe. Basen montuj na dołączonej do zestawu płachcie.

¡Atención!

Antes de instalar la piscina asegúrese de que la ubicación elegida esté nivelada. Monte la piscina sobre la esterilla de suelo incluida.

Aandacht!

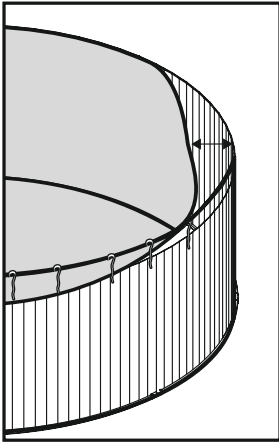
Verzeker u, alvorens uw zwembad te monteren, dat de door u gekozen plaats volledig vlak en stevig is. Monteer het zwembad op het meegeleverde grondzeil.

ΠΡΟΣΟΧΉ!

ΠΡΙΝ ΣΤΉΣΕΤΕ ΤΗΝ ΠΙΣΊΝΑ ΣΑΣ, ΒΕΒΑΙΩΘΕΊΤΕ ΌΤΙ Η ΘΉΣΗ ΠΟΥ ΕΠΙΛΉΞΑΤΕ ΕΊΝΑΙ ΣΤΉΡΕΗ ΚΑΙ ΕΠΊΠΕΔΗ. ΣΥΝΑΡΜΟΛΟΓΉΣΤΕ ΤΗΝ ΠΙΣΊΝΑ ΠΆΝΩ ΣΤΟ ΠΑΡΕΧΌΜΕΝΟ ΓΕΩΎΦΑΣΜΑ.

Figyelem!

A medence felállítása előtt győződjön meg arról, hogy a kiválasztott helyszín megfelelő keménységű és vízszintes felszínű. Szerelje össze a medencét a mellékelt talajtakaró textilen.



NOTE: The liner of the steel wall pool is designed to be smaller than the steel wall for technical reasons. If you find it difficult to assemble the liner, place the liner under the sun for one hour which will make it more pliable. You should then be able to assemble the liner step by step, stretching it by hand at the same time. This procedure will not damage the liner.

NOTA: O forro da piscina de parede em aço está concebido para ser mais pequeno do que a parede em aço por motivos técnicos. Se sentir dificuldade em montar o forro, coloque-o ao sol durante uma hora, o que o irá tornar mais flexível. Depois já deverá ser capaz de montar o forro passo a passo, esticando-o manualmente ao mesmo tempo. Este procedimento não irá danificar o forro.

NOTA: Por motivos técnicos, el revestimiento interno de la piscina de pared de acero está diseñado en un tamaño menor que la pared de acero. Si le resulta difícil montar el revestimiento, sitúe el revestimiento al sol durante una hora y será más manejable. Así podrá montar el revestimiento paso a paso, estirándolo a mano simultáneamente. Este procedimiento no dañará el revestimiento.

HINWEIS: Die Innenverkleidung des Stahlwandpools ist aus technischen Gründen kleiner als die Außenwand. Wenn Sie Schwierigkeiten bei der Anbringung der Innenverkleidung haben, legen Sie diese eine Stunde lang in die Sonne, um sie biegsamer zu machen. Dann können Sie die Innenverkleidung Schritt für Schritt anbringen, indem diese von Hand gezogen wird. Dieser Vorgang beschädigt die Innenverkleidung nicht.

HUOMAA: Teräseinän vuoren on tarkoitus olla teräseinää pienempi. Tähän on teknisiä syitä. Jos vuorta on vaikeaa saada paikalleen, jätä se aurinkoon yhdeksi tunniksi. Lämmennyttä vuorta on helpompi käsitellä. Vuoren asettaminen paikoilleen tulisi onnistua tämän jälkeen vähän kerrallaan venyttämällä vuorta samalla käsin. Tämä toimenpide ei vahingoita vuorta.

OPMERKING: De bekleding van het zwembad met stalen wanden is ontworpen om kleiner te zijn dan de stalen wand omwille van technische redenen. Als u het moeilijk vindt om de bekleding te monteren, plaats de bekleding gedurende één uur onder de zon waardoor ze soepelder zal zijn. U zou dan de bekleding stap voor stap moeten kunnen monteren door deze tegelijkertijd met de hand uit te rekken. Deze procedure zal de bekleding niet beschadigen.

NOTA: Il rivestimento della piscina con pareti in acciaio è progettato per essere più piccolo delle pareti in acciaio per motivi tecnici. Se montare il rivestimento risulta difficile, posizionare il rivestimento sotto il sole per un'ora in modo che diventi più flessibile. Inoltre, montare il rivestimento passo dopo passo, tirandolo contemporaneamente con le mani. Questa procedura non danneggia il rivestimento.

REMARQUE: La bâche de la piscine à paroi en acier est conçue pour être plus petite que la paroi en acier pour des raisons techniques. Si vous avez du mal à monter la bâche, placez-la en plein soleil pendant une heure, elle sera alors plus facile à plier. Vous devriez être alors en mesure de monter la bâche pas à pas, tout en tirant dessus manuellement. Cette procédure n'abîmera pas la bâche.

ΣΗΜΕΙΩΣΗ: Η ΕΠΕΝΔΥΣΗ ΠΙΣΙΝΑΣ ΜΕ ΧΑΛΥΒΔΙΝΟ ΤΟΙΧΩΜΑ ΈΧΕΙ ΣΧΕΔΙΑΣΤΕΪ ΓΙΑ ΝΑ ΕΊΝΑΙ ΜΙΚΡΟΤΕΡΗ ΑΠΟ ΤΟ ΧΑΛΥΒΔΙΝΟ ΤΟΙΧΩΜΑ ΓΙΑ ΤΕΧΝΙΚΟΥΣ ΛΟΓΟΥΣ. ΑΝ ΔΥΣΚΟΛΕΥΤΕΪΤΕ ΝΑ ΣΥΝΑΡΜΟΛΟΓΗΣΕΤΕ ΤΗΝ ΕΠΕΝΔΥΣΗ, ΤΟΠΟΘΕΤΗΣΤΕ ΤΗΝ ΕΠΕΝΔΥΣΗ ΣΤΟΝ ΉΛΙΟ ΓΙΑ ΜΙΑ ΩΡΑ, ΚΑΤΙ ΠΟΥ ΘΑ ΤΗΝ ΚΑΤΑΣΤΗΣΕΙ ΠΙΟ ΕΎΚΑΜΠΤΗ. ΣΤΗ ΣΥΝΕΧΕΙΑ ΘΑ ΠΡΕΠΕΙ ΝΑ ΜΠΟΡΕΣΕΤΕ ΝΑ ΣΥΝΑΡΜΟΛΟΓΗΣΕΤΕ ΤΗΝ ΕΠΕΝΔΥΣΗ ΒΉΜΑ ΠΡΟΣ ΒΉΜΑ, ΤΑΥΤΟΧΡΟΝΑ ΤΕΝΤΩΝΟΝΤΑΣ ΤΗΝ ΜΕ ΤΟ ΧΕΡΙ. ΑΥΤΗ Η ΔΙΑΔΙΚΑΣΪΑ ΔΕ ΘΑ ΠΡΟΚΑΛΉΣΕΙ ΖΗΜΪΑ ΣΤΗΝ ΕΠΕΝΔΥΣΗ.

ПРИМЕЧАНИЕ. По техническим причинам лайнер стальной стенки бассейна рассчитан так, что его размер меньше, чем стальная стенка. Если вам трудно натянуть лайнер, положите его на солнце на один час, в результате чего он станет более пластичным. После этого вы сможете постепенно установить лайнер, одновременно растягивая его руками. Эта процедура не приведет к повреждению лайнера.

UWAGA: Ze względów technicznych wkładka do stalowej ściany basenu jest mniejsza niż stalowa ściana. Jeśli wystąpią trudności w dopasowaniu wkładki, wkładkę należy wystawić na godzinę na działanie promieni słonecznych, aby stała się bardziej elastyczna. Potem należy stopniowo dopasowywać wkładkę, jednocześnie rozciągając ją za pomocą ręki. Taki sposób postępowania nie spowoduje uszkodzenia wkładki.

MEGJEGYZÉS: Az acélfalú medence bevonatát műszaki okokból az acélfalnál kisebb méretűre tervezték. Ha nehezebb esik a bevonat összeépítése, tegye ki egy órára a napra, hogy hajlíthatóbbra puhuljon. Ezt követően az anyagot kézzel nyújtva, lépésenként összeépítheti a bevonatot. Ez az eljárás nem tesz kárt a bevonatban.

OBS! Stålväggsplörens liner är utformad för att vara mindre än stålväggen av tekniska skäl. Om du tycker att det är svårt att montera linern, lägg den då i solen under en timme vilket gör den mer böjbar. Därefter bör du kunna montera linern stegvis, sträck den samtidigt för hand. Den här proceduren skadar inte linern.

HYDRIMUM™ POOLS OWNER'S MANUAL

Item No.	Dimension	Kit Type	Accessories
#56566 #56563 #56567 #56564	3.00 m x 1.20 m (10' x 48")	Aboveground swimming pool kit	<input type="checkbox"/> Filtration System
#56574 #56571 #56575 #56572	3.60 m x 1.20 m (12' x 48")		<input type="checkbox"/> Ladder
#56384 #56382 #56385 #56383	4.60 m x 1.20 m (15' x 48")		<input type="checkbox"/> Ground Cloth



! WARNING !

Carefully read, understand, and follow all information in this user manual before installing and using the swimming pool. These warnings, instructions, and safety guidelines address some common risks of water recreation, but they cannot cover all risks and dangers in all cases. Always use caution, common sense, and good judgment when enjoying any water activity. Retain this information for future use.

Non Swimmers safety

- Continuous, active, and vigilant supervision of weak swimmers and non-swimmers by a competent adult is required at all times (remembering that children under five are at the highest risk of drowning).
- Designate a competent adult to supervise the pool each time it is being used.
- Weak swimmers or non-swimmers should wear personal protection equipment when using the pool.
- When the pool is not in use, or unsupervised, remove all toys from the swimming pool and its surrounding to avoid attracting children to the pool.

Safety devices

- In order to prevent children from drowning, it is recommended to secure the access to the pool with a protection device. In order to prevent children climbing from the inlet and outlet valve, it is recommended to install a barrier (and secure all doors and windows, where applicable) to prevent unauthorized access to the swimming pool.
- Barriers, pool covers, pool alarms, or similar safety devices are helpful aids, but they are not substitutes for continuous and competent adult supervision.

Safety equipment

- It is recommended to keep rescue equipment (e.g. a ring buoy) by the pool.
- Keep a working phone and a list of emergency phone numbers near the pool.

Safe use of the pool

- Encourage all users especially children to learn how to swim.
- Learn Basic Life Support (Cardiopulmonary Resuscitation - CPR) and refresh this knowledge regularly. This can make a life-saving difference in the event of an emergency.
- Instruct all pool users, including children, what to do in case of an emergency.
- Never dive into any shallow body of water. This can lead to serious injury or death.
- Do not use the swimming pool when using alcohol or medication that may impair your ability to safely use the pool.
- When pool covers are used, remove them completely from the water surface before entering the pool.
- Protect pool occupants from water related illnesses by keeping the pool water treated and practicing good hygiene. Consult the water treatment guidelines in the user's manual.
- Store chemicals (e.g. water treatment, cleaning or disinfection products) out of the reach of children.
- Use the signage as outlined below. Signage is to be displayed in a prominent position within 2m of the pool.



PART LIST

No.	Name	Material	10' x 48''		12' x 48''		15' x 48''	
			Qty	Spare Part No.	Qty	Spare Part No.	Qty	Spare Part No.
1	Upper Joint Protector	PP	8	P6743	8	P6743	10	P6743
2	Top Platform	Coated Steel	8	P6744	8	P6745	10	P61233
3	M6x11 Bolt	Stainless Steel 304	122	P6746	122	P6746	146	P6746
4	Top Metal Piece	Steel	8	P6747	8	P6747	10	P6747
5	M6 Nut	Stainless Steel 304	26	P6748	26	P6748	26	P6748
6	Skimmer		1	P6762	1	P6762	1	P6762
7	Hose Adaptor		2	F6H202	2	F6H202	2	F6H202
8	Rail Connector	PP	32	P6990	32	P6990	40	P6990
9	Rail	PVC	16	P6750	16	P6751	20	P61235
10	Liner	PVC	1	56284ASS17	1	56285ASS17	1	56384ASS17
11	3M Self-adhesive tape		1	P6756	1	P6756	1	P6756
12	Steel wall	Coated Steel	1	P61452	1	P61453	1	P61454
13	Pool Vertical Support	Coated Steel	8	P6757	8	P6757	10	P6757
14	Bottom Metal Piece	Steel	8	P6761	8	P6761	10	P6761
15	Bottom Joint Protector	PP	8	P6759	8	P6759	10	P6759
16	ST4x14 Screw	Stainless Steel 304	16	P61491	16	P61491	20	P61491
17	Control Valve		1	P6(H1)1229	1	P6(H1)1229	1	P6(H1)1229
18	Pool Inlet Strainer		1	P6H1317	1	P6H1317	1	P6H1317
19	Clips	Plastic	20		20		20	
20	Foam protector	EPE	8	P61473	8	P61473	10	P61473

- Keep children under supervision in the aquatic environment. No diving.
- Removable ladders shall be placed on a horizontal surface.
- Irrespective of materials used for swimming pool construction, accessible surfaces have to be checked regularly to avoid injuries.
- Regularly monitor bolts and screws; splinters or any sharp edges to avoid injuries.

ATTENTION: Do not leave the drained pool outside. The empty pool is liable to being deformed and/or displaced due to wind.
- If have a filter pump, refer to the pump's manual for instructions.

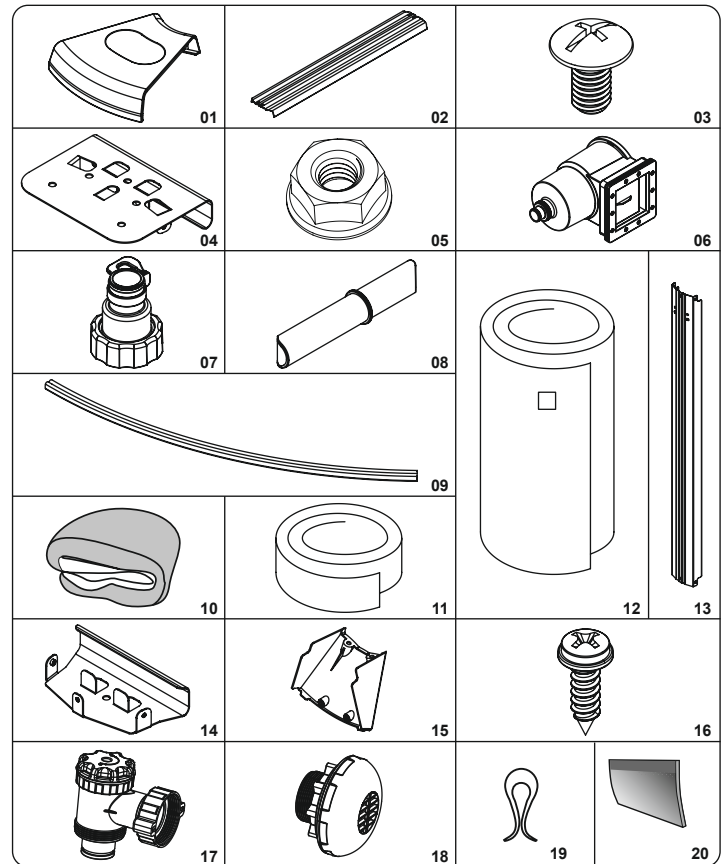
WARNING! The pump cannot be used while people are inside the pool!
- If have a ladder, refer to the ladder's manual for instructions.

WARNING! The use of a swimming pool implies compliance with the safety instructions described in the operating and maintenance guide. In order to prevent drowning or other serious injuries, pay particular attention to the possibility of unexpected access to the swimming pool by children under 5 years by securing the access to it, and, during the bathing period, keep them under constant adult supervision.

NOTE: When installing the pool, the position of skimmer should be opposite to the main wind direction. The placement of the ladder in the pool shall be away from the skimmer.

Please read carefully and keep for future reference.

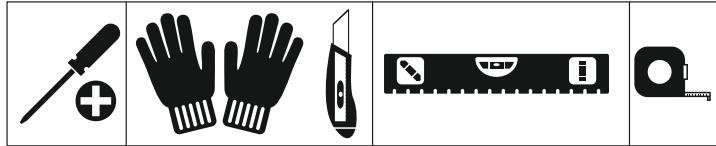
Parts Reference



PART LIST OF SKIMMER

NO.	Name	Quantity	Spare Part No.
001	Hose attachment	1	P6774
002	Cover	1	P6991
003	Basket	1	P6776
004	Skimmer	1	P6777
005	Weir	1	P6992
006	Gasket	1	P6993
007	Face plate	1	P6780
008	M5x22 screw	12	/
009	O-ring	1	/
010	Plug	1	P6813

Tools Required (not included):



Installation usually takes approximately 2 hours with 2-3 people excluding earthworks and filling.

SELECTING A SUITABLE LOCATION

WARNING: Leveling is extremely important.

Carefully select the location for your new pool. This is the most important decision you will have to make to ensure the safety and success of your pool's construction. A poorly-chosen location could cause problems in the future that may cause injury, death or financial loss. Read carefully the checklist below when selecting where to set up your pool.

Acceptable:

- Flat, level, firm and dry ground with easy access to all sides of the pool
- Exposed to direct sunlight, preferable in the morning
- Safe access to electricity for running the filter pump and other pool accessories
- Easy to access to a water source
- Protection from wind

Unacceptable:

- Sloping, uneven ground
- Sandy, rocky or soggy ground
- Close to wooden construction (e.g. pergolas and decking)
- Next to trees
- Overhead wires and clotheslines
- Drains, electric wires or gas pipelines underneath the site
- Poor or little drainage
- High flood risk locations
- High wind conditions

NOTE: Remove the higher ground rather than filling the low laying ground. All grass and sod under entire pool area must be removed.

POOL ASSEMBLY

Please refer to diagram steps.

POOL MAINTENANCE

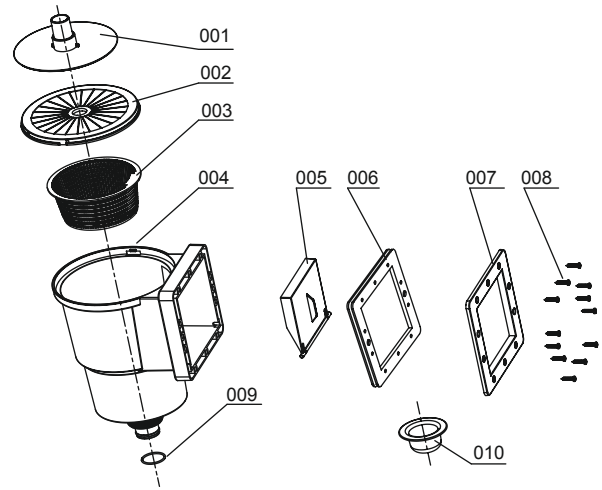
Warning: If you do not adhere to the maintenance guidelines covered herein, your health might be at risk, especially that of children. Pool water treatment is essential for the safety of the users. Using chemicals inappropriately will cause property damage and personal injury.

NOTE: The pump is used to circulate the water and to filter small particles. In order to keep your pool water clean and hygienic, you must also add chemicals.

- It is recommended not to fill the pool with catchment water, drilling water, or drainage well water: these waters generally contain polluted organic substances including nitrates and phosphates. Filling pools with water from the public network is advised.
- Always keep your pool clean and apply the correct pool chemicals. Unsanitary water is a serious health hazard. It is recommended to use disinfectant, flocculant, acid or alkali chemicals to treat your pool.
- Clean the PVC liner regularly with non-abrasive brushes or a pool vacuum cleaner.
- Throughout the season, the water filtration system must run long enough each day to clean the entire volume of water in the pool.
- Check the filter cartridge (or sand in a sand filter) regularly and replace dirty cartridges (or sand).
- Regularly check the screws, bolts and all the metal parts for rust. Replace if necessary.
- If it rains, check that the water level is not higher than the specified level.
If water exceeds the specified levels, drain the pool to the specified level.
- Do not use the pump when the pool is in use.
- Cover the pool when not in use.
- For pool water treatment, the pH value is very important.

ATTENTION: Do not leave the drained pool outside.

The following parameters ensure good quality water



Parameters	Values
Water clarity	clear view of the pool bottom
Colour of the water	no colour should be observed
Turbidity in FNU/NTU	max. 1,5 (preferably less than 0,5)
Nitrate concentration above that of fill water in mg/l	max. 20
Total organic carbon (TOC) in mg/l	max. 4,0
Redox potential against Ag/AgCl 3,5 m KCl in mV	min. 650
pH value	6,8 to 7,6
Free active chlorine (without cyanuric acid) in mg/l	0,3 to 1,5
Free chlorine used in combination with cyanuric acid in mg/l	1,0 to 3,0
Cyanuric acid in mg/l	max 100
Combined chlorine in mg/l	max 0,5 (preferably close to 0,0 mg/l)

WINTERIZATION

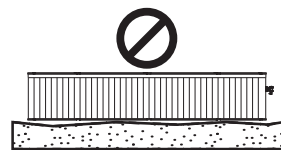
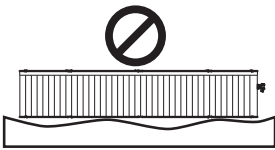
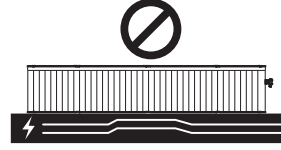
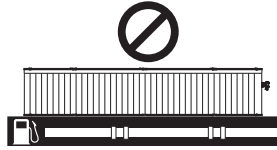
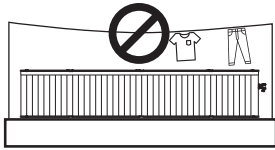
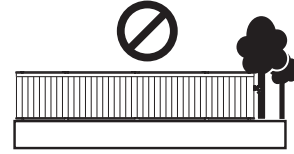
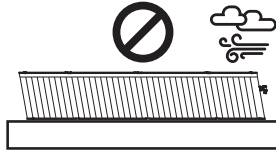
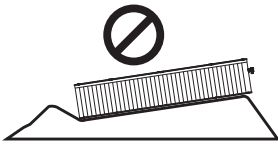
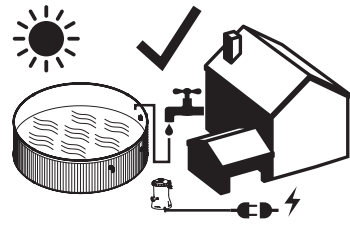
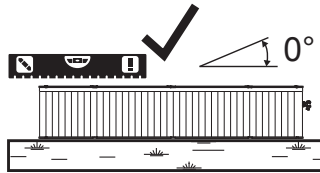
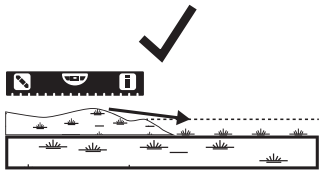
If you do not want to dismantle the pool in winter, please observe the following instructions:

IMPORTANT: Do not drain all of the pool water. If you do so, the pool may be damaged by strong wind. Drain the water to 10cm below the inlet valve on the pool wall.

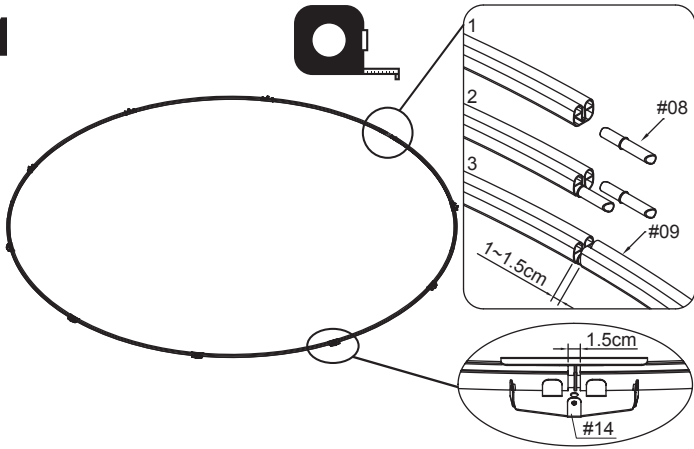
- Drain the water to 10cm below the inlet valve on the pool wall. You can use a pump or a garden hose (Diagrams 27, 28).
- Treat the pool water with a suitable chemical product.
- Remove the filtration system from the pool.
You can leave the inlets/outlets attached to the pool.
- Also remove any other pool accessories and store them in a dry and cool place.
- Protect the pool with the pool cover.

If you want to dismantle the pool in winter, please observe the following instructions:

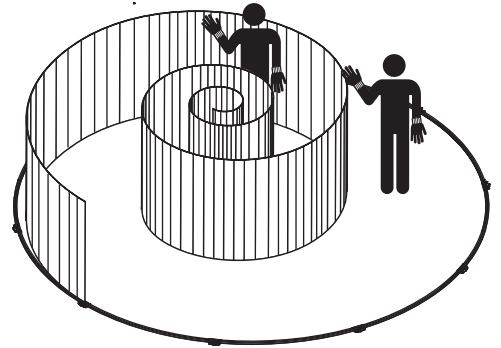
- Drain the pool with a garden hose, or use a drain pump to empty the pool (Diagram 27).
- Clean all pool parts with a sponge and soap with a neutral pH. Dry them and tidy them away in a dry and clean place.



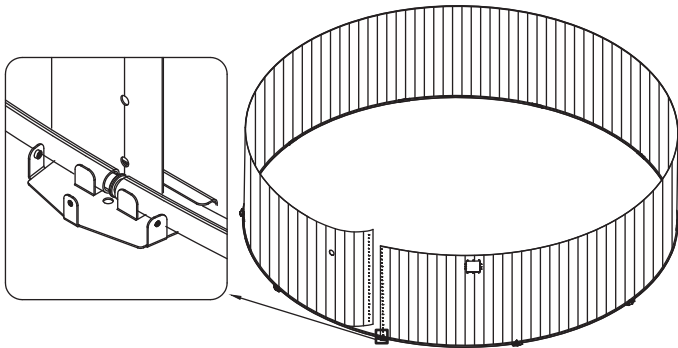
1



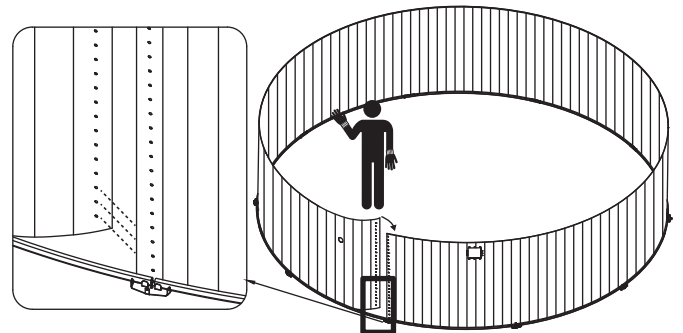
2



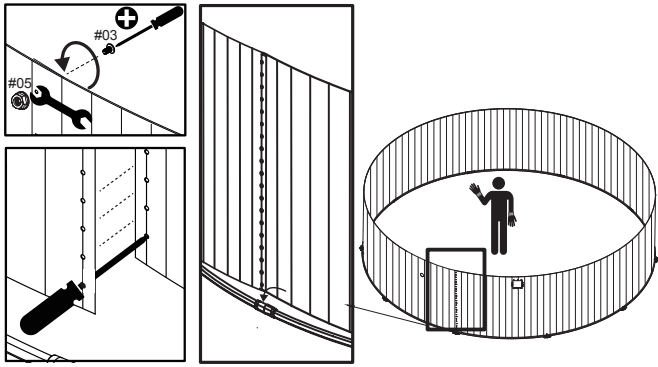
3



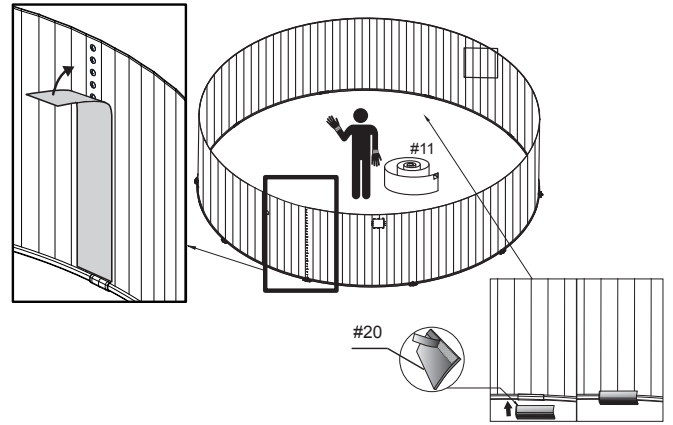
4



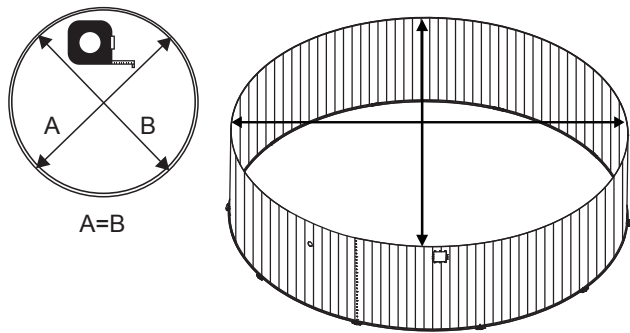
5



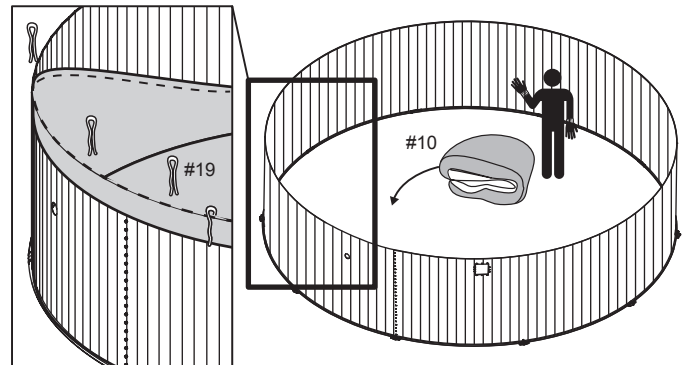
6



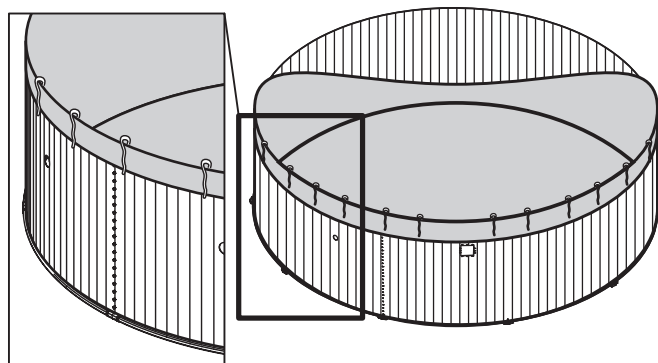
7



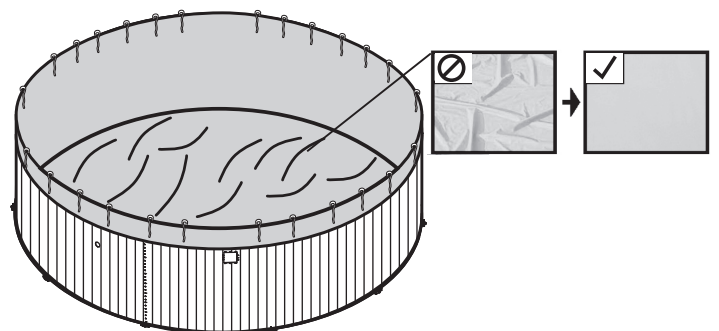
8



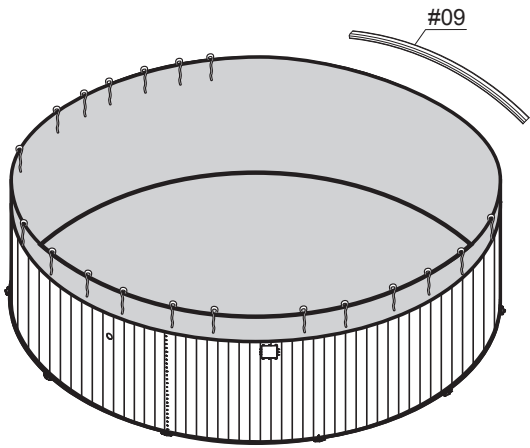
9



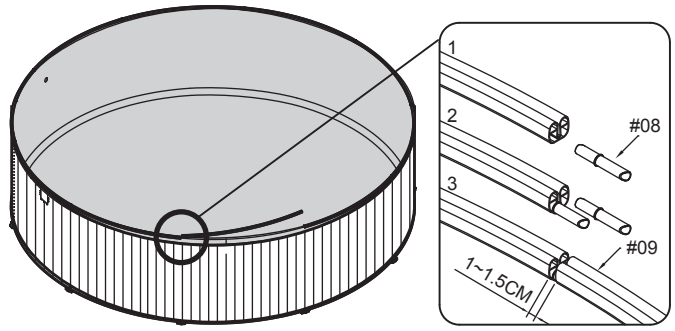
10



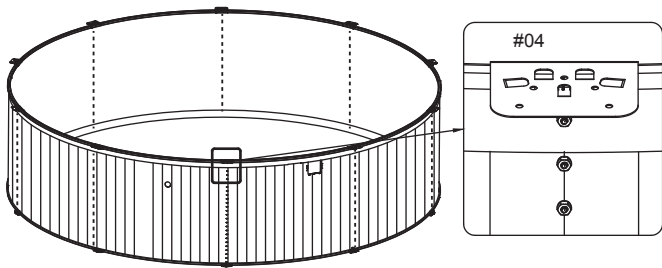
11



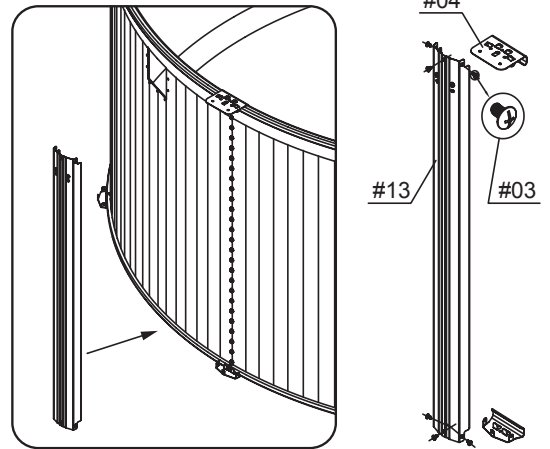
12



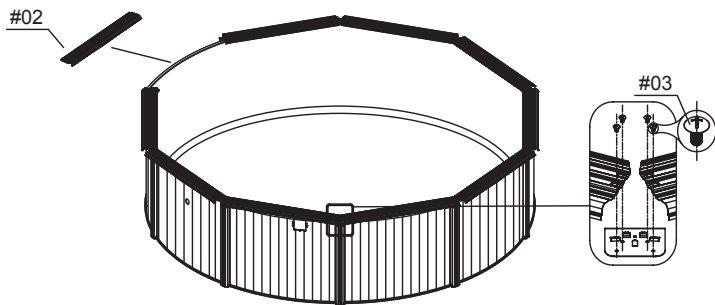
13



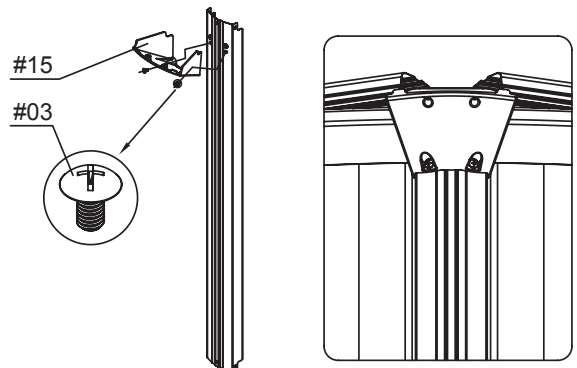
14



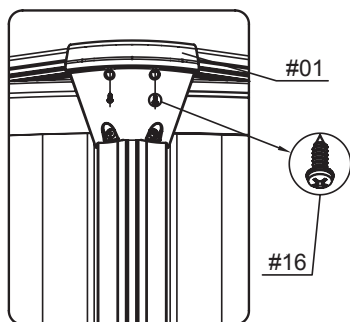
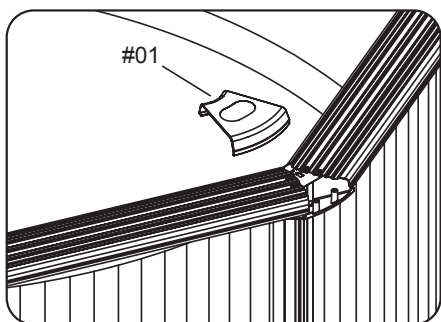
15



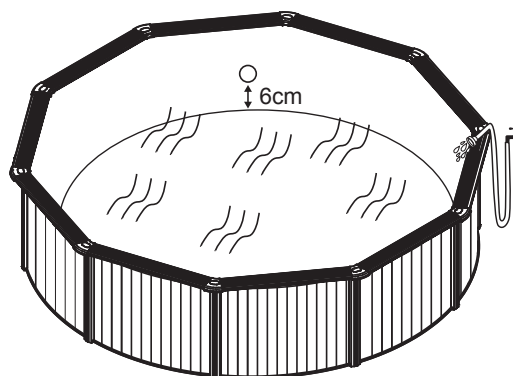
16



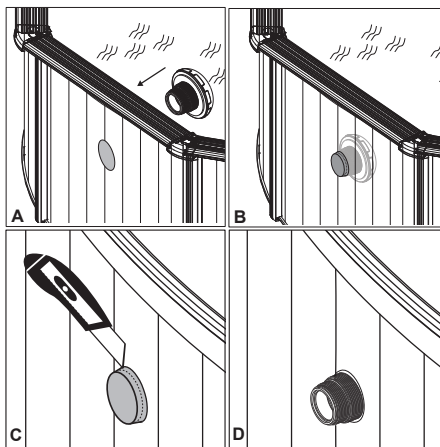
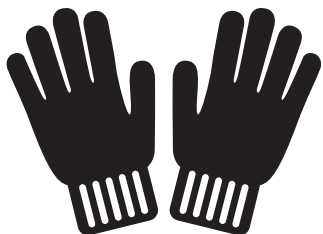
17



18



19



NOTE: Before connecting valve to the pool, fill the pool leaving 5 - 6cm of space between the position of the connection valve and water surface.
WARNING! Never permanently install the connection valve before the water is within a few centimeters of them because the liner has to be properly taut from the pressure of the water.

NOTE: Be careful the splinters or any sharp edges when cutting the pool.

IMPORTANT: Cutting more liner than necessary will damage and void the pool liner, so please trim with extra care.

NOTA: Antes de ligar a válvula à piscina, encha a piscina deixando 5 - 6cm de espaço entre a posição da válvula de ligação e a superfície da água.

ATENÇÃO! Nunca instale permanentemente a válvula de ligação antes da água estar a alguns centímetros de distância, porque o revestimento deve estar devidamente esticado com a pressão da água.

NOTA: Tome cuidado com as lascas ou quaisquer arestas afiadas quando cortar a piscina.

IMPORTANTE: O corte de mais forro do que o necessário pode danificar e esvaziar o forro da piscina, assim, apare com especial cuidado.

NOTA: Antes de conectar la válvula a la piscina, llene la piscina dejando unos 5/6 cm de espacio entre la posición de la válvula de conexión y la superficie del agua.

¡ADVERTENCIA! No proceda a realizar la instalación definitiva de la válvula de conexión antes de que el agua se encuentre a unos centímetros de ellos, ya que el revestimiento debe estar perfectamente estirado bajo la presión del agua.

NOTA: Preste atención a las astillas y a los bordes afilados cuando corte la piscina.

IMPORTANTE: Recortar más revestimiento del estrictamente necesario provocará daños y dejará la garantía del revestimiento sin validez. Le rogamos que extreme las precauciones al recortar.

HINWEIS: Füllen Sie den Pool bis zu einer Höhe von 5 - 6cm zwischen der Position des Anschlussventils und der (späteren) Wasseroberfläche mit Wasser, bevor Sie das Ventil am Pool befestigen.

WARNUNG! Installieren Sie das Anschlussventil nie dauerhaft, bevor der Pool nicht bis zu einer Höhe von einigen Zentimetern unterhalb der hierfür vorgesehenen Öffnungen mit Wasser gefüllt ist, da die Innenverkleidung durch den Wasserdruck erst korrekt gespannt werden muss.

HINWEIS: Seien Sie vorsichtig beim Zerschneiden des Pools und nehmen Sie sich in Acht vor Spänen, Spreißeln und scharfen Kanten.

WICHTIG: Schneiden Sie nicht mehr Innenverkleidung ab, als unbedingt erforderlich, da dies die Innenverkleidung beschädigt und unbrauchbar macht. Gehen Sie daher beim Entfernen mit besonderer Sorgfalt vor.

HUOMAA: Täytä allas ennen venttiilin kytkemistä altaaseen jättäen 5–6 cm tilaa liitäntäventtiilin ja vedenpinnan välille.

VAROITUS! Älä koskaan asenna liitäntäventtiiliä kiinteästi, ennen kuin veden pinta on muutaman senttimetrin päässä niistä, koska allasmuovi on ensin saatava riittävän kireälle veden paineen avulla.

HUOMAA: Varo tikkuja tai muita teräviä reunoja, kun leikkaat allasta.

TÄRKEÄÄ: Jos allasmuovia leikataan enemmän kuin on tarpeen, allasmuovi vaurioituu ja se on hyödytön, joten ole erityisen huolellinen leikatessasi.

OPMERKING: Vooraleer de klep te verbinden met het zwembad, vul het zwembad en laat daarbij 5 - 6 cm ruimte tussen de positie van de aansluitingsklep en het wateroppervlak.

WAARSCHUWING! Installeer nooit de aansluitingsklep permanent voor het water binnen enkele cm ervan staat omdat de bekleding strak genoeg moet zijn door de druk van het water.

OPMERKING: Wees voorzichtig voor splinters of scherpe randen bij het snijden van het zwembad.

BELANGRIJK: Meer bekleding afsnijden dan nodig zal de bekleding beschadigen, wees dus voorzichtig als u dit doet.

NOTA: Prima di collegare la valvola alla piscina, riempire la piscina lasciando 5-6 cm di spazio fra la posizione della valvola di collegamento e la superficie dell'acqua.

AVVERTENZA! Installare definitivamente la valvola di collegamento solo dopo che l'acqua arriva ad alcuni centimetri di distanza da essa, poiché il rivestimento deve essere teso adeguatamente con la pressione dell'acqua.

NOTA: Fare attenzione a schegge o bordi appuntiti quando si taglia la piscina.

IMPORTANTE: Tagliare in modo eccessivo potrebbe danneggiare il rivestimento, per cui l'operazione richiede particolare attenzione.

REMARQUE: Avant de raccorder la vanne à la piscine, remplissez la piscine en laissant 5 à 6 cm entre la position de la vanne de communication et la surface de l'eau.

ATTENTION! Ne montez jamais de manière permanente la vanne de communication avant que l'eau ne se trouve à quelques centimètres d'elle car la bâche doit être correctement tendue par la pression de l'eau.

REMARQUE: Faites attention aux écailles ou à toute arête vive quand vous découpez la piscine.

IMPORTANT: Si vous découpez plus de bâche que le nécessaire, cela abîmera et rendra inutile la bâche de la piscine, faites donc particulièrement attention lorsque vous la découpez.

ΣΗΜΕΙΩΣΗ: ΠΡΙΝ ΣΥΝΔΕΣΕΤΕ ΤΗ ΒΑΛΒΙΔΑ ΣΤΗΝ ΠΙΣΙΝΑ, ΓΕΜΙΣΤΕ ΤΗΝ ΠΙΣΙΝΑ ΑΦΗΝΟΝΤΑΣ ΑΠΟΣΤΑΣΗ 5 - 6εκ. ΜΕΤΑΞΥ ΤΗΣ ΘΕΣΗΣ ΤΗΣ ΒΑΛΒΙΔΑΣ ΣΥΝΔΕΣΗΣ ΚΑΙ ΤΗΣ ΕΠΙΦΑΝΕΙΑΣ ΤΟΥ ΝΕΡΟΥ.

ΠΡΟΕΙΔΟΠΟΙΗΣΗ! ΠΟΤΕ ΜΗΝ ΤΟΠΟΘΕΤΕΙΤΕ ΤΗ ΒΑΛΒΙΔΑ ΣΥΝΔΕΣΗΣ ΠΡΙΝ ΤΟ ΝΕΡΟ ΦΤΑΣΕΙ ΕΝΤΟΣ ΜΕΡΙΚΩΝ ΕΚΑΤΟΣΤΩΝ ΑΠΟ ΑΥΤΑ, ΔΙΟΤΙ Η ΕΠΕΝΔΥΣΗ ΠΡΕΠΕΙ ΝΑ ΕΙΝΑΙ ΣΩΣΤΑ ΤΕΝΤΩΜΕΝΗ ΑΠΟ ΤΗΝ ΠΙΕΣΗ ΤΟΥ ΝΕΡΟΥ.

ΣΗΜΕΙΩΣΗ: ΠΡΟΣΕΧΕΤΕ ΓΙΑ ΑΚΙΔΕΣ Η ΑΙΧΜΗΡΕΣ ΑΚΜΕΣ ΟΤΑΝ ΚΟΒΕΤΕ ΤΗΝ ΠΙΣΙΝΑ.

ΣΗΜΑΝΤΙΚΟ: Η ΚΟΠΗ ΠΕΡΙΣΣΟΤΕΡΗΣ ΕΠΕΝΔΥΣΗΣ ΑΠΟ ΟΣΟ ΧΡΕΙΑΖΕΤΑΙ ΘΑ ΚΑΤΑΣΤΡΕΦΕΙ ΚΑΙ ΘΑ ΑΚΥΡΩΣΕΙ ΤΗΝ ΕΠΕΝΔΥΣΗ ΤΗΣ ΠΙΣΙΝΑΣ, ΓΙΑ ΑΥΤΟ ΠΑΡΑΚΑΛΟΥΜΕ ΚΟΨΤΕ ΜΕ ΜΕΓΑΛΗ ΠΡΟΣΟΧΗ.

ПРИМЕЧАНИЕ: Перед тем, как присоединить клапан к бассейну, наполните бассейн водой, не доходя 5-6 сантиметров до места расположения соединительного клапана.

ВНИМАНИЕ! Не закрепляйте окончательно соединительный клапан, пока вода не будет находиться в нескольких сантиметрах от них, так как чаша должна расправиться и плотно прилегать под давлением воды.

ПРИМЕЧАНИЕ: Будьте осторожны и следите за обломками и острыми углами, отрезая чашу.

ВАЖНО: Если отрезать больше чаши, чем нужно, это может повредить и привести ее в негодность, поэтому отрезайте очень аккуратно.

UWAGA: Przed podłączeniem zaworu do basenu napełnij basen pozostawiając odstęp 5 – 6 cm między położeniem zaworu łączącego a powierzchnią wody.

OSTRZEŻENIE! W żadnym przypadku nie montuj na stałe zaworu łączącego przed napełnieniem basenu wodą do wysokości kilku centymetrów poniżej niego, ponieważ wkładka basenu musi się odpowiednio naprężyć pod naciskiem wody.

UWAGA: Podczas przecinania basenu uważaj na zadziory i ostre krawędzie.

WAŻNE: Nie przecinaj wykładziny więcej niż potrzeba, ponieważ spowoduje to jej uszkodzenie i zniszczenie – tnij z najwyższą ostrożnością.

MEGJEGYZÉS: A szelepnek a medencéhez csatlakoztatása előtt töltse fel a medencét vízzel úgy, hogy a vízszint 5 vagy 6 cm-rel a csatlakozószelep helyzete alatt legyen.

FIGYELMEZTETÉS! Soha ne szerelje be a csatlakozószelepet véglegesen, míg a víz nincs néhány centiméterre tőlük, ugyanis a bevonatot a víz nyomásának megfelelően ki kell feszítenie.

MEGJEGYZÉS: A medence vágásakor vigyázzon a sorjával, illetve éles peremekkel.

FONTOS: Ha több bevonatot vág ki a szükségesnél, az a medencebevonat sérüléséhez és a garancia elvesztéséhez vezet, ezért a kivágást rendkívüli gondossággal végezze.

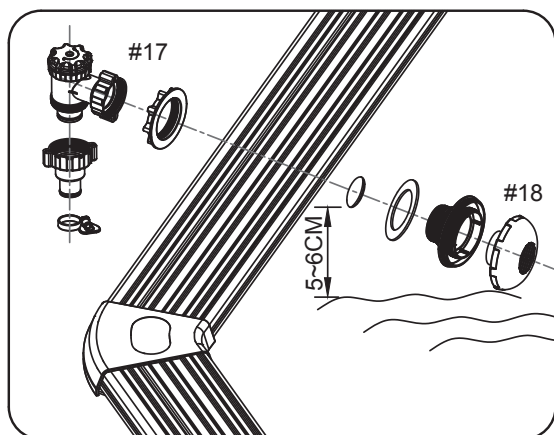
OBS! Innan du ansluter ventilerna till poolen, fyll poolen med vatten, men lämna 5 – 6cm utrymme mellan anslutningsventilens position och vattenytan.

WARNING! Installera aldrig anslutningsventilen permanent innan vattnet når några centimetrar under den, eftersom linern måste vara riktigt spänd men hjälp av vattnets tryck.

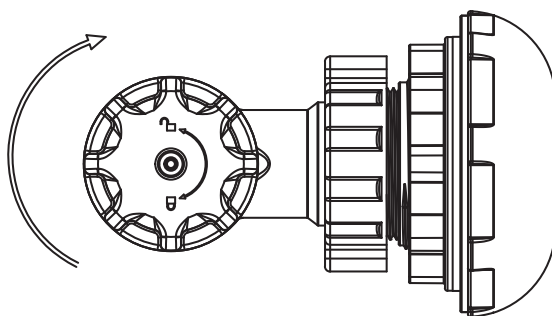
OBS! Var försiktig med flisor eller andra vassa kanter när du skär poolen.

VIKTIGT: Att skära mer liner än nödvändigt kan skada och förstöra poollinern. Skär därför med extra noggrannhet.

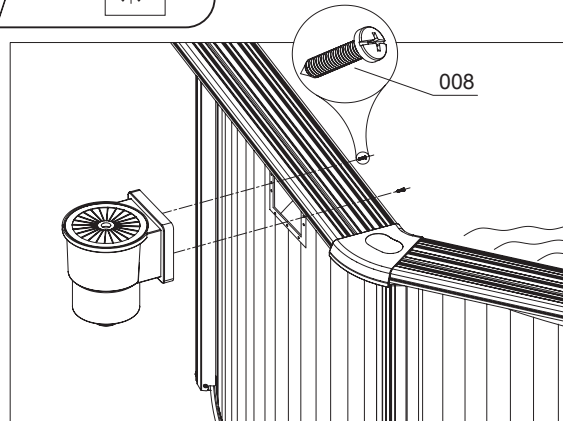
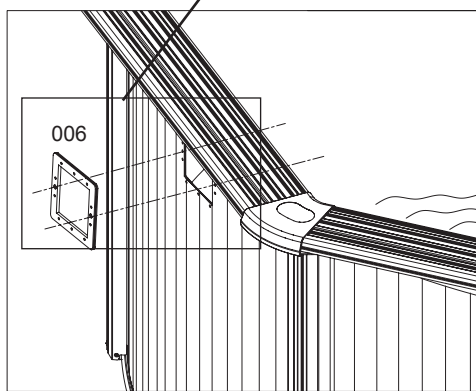
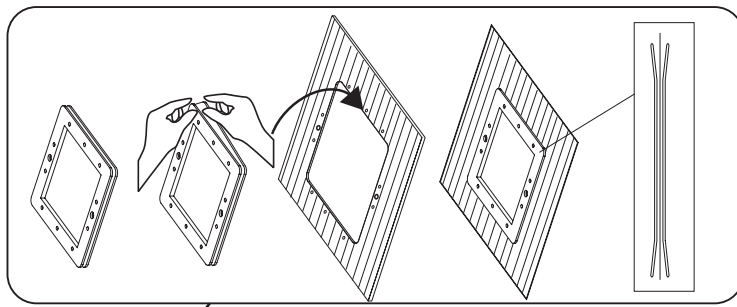
20



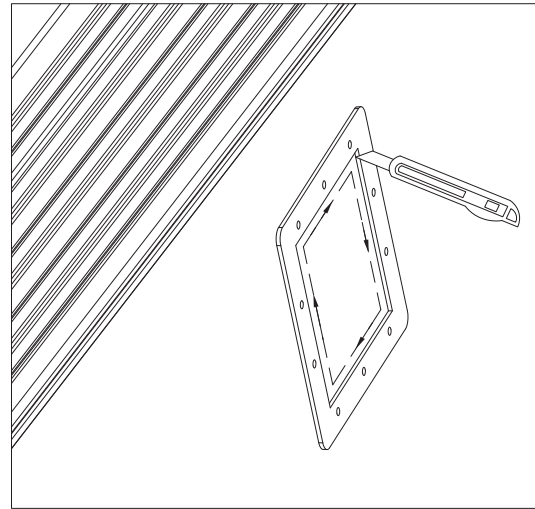
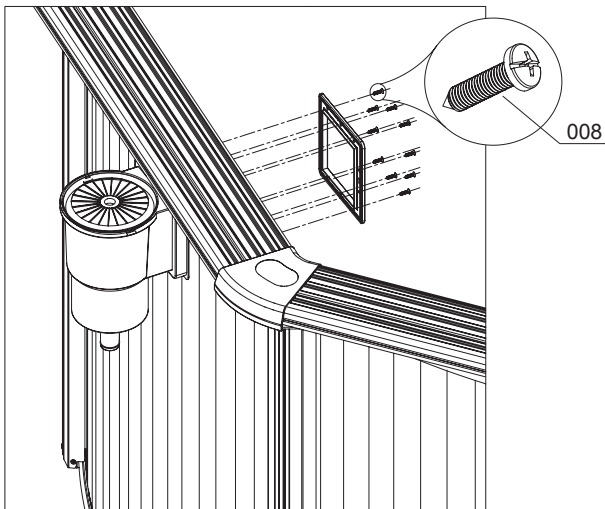
21



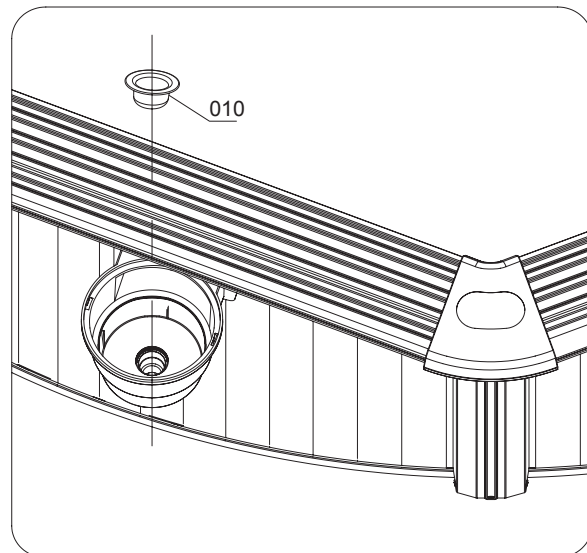
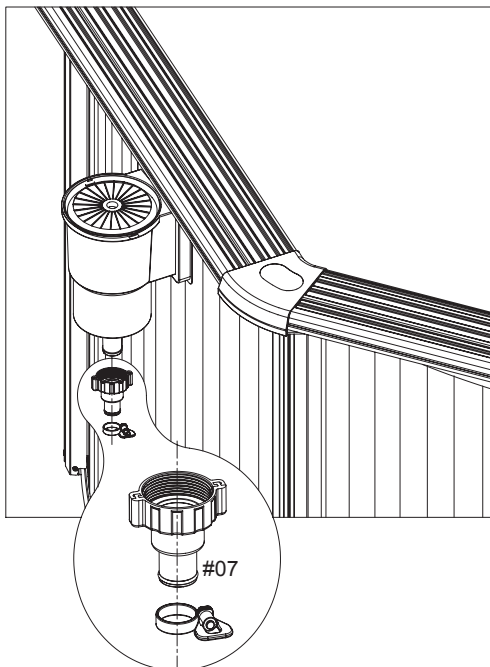
22



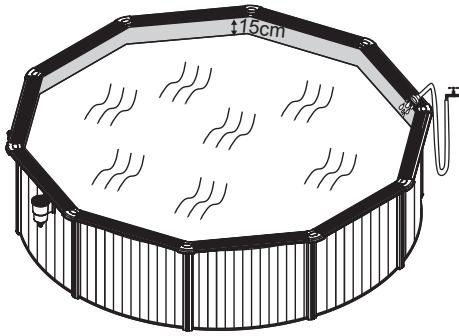
23



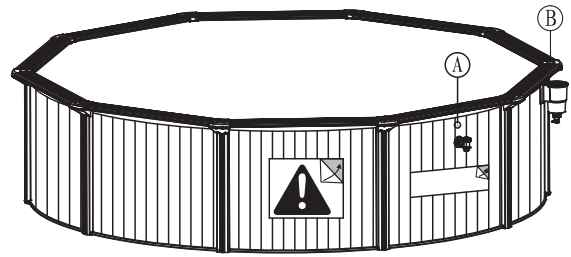
24



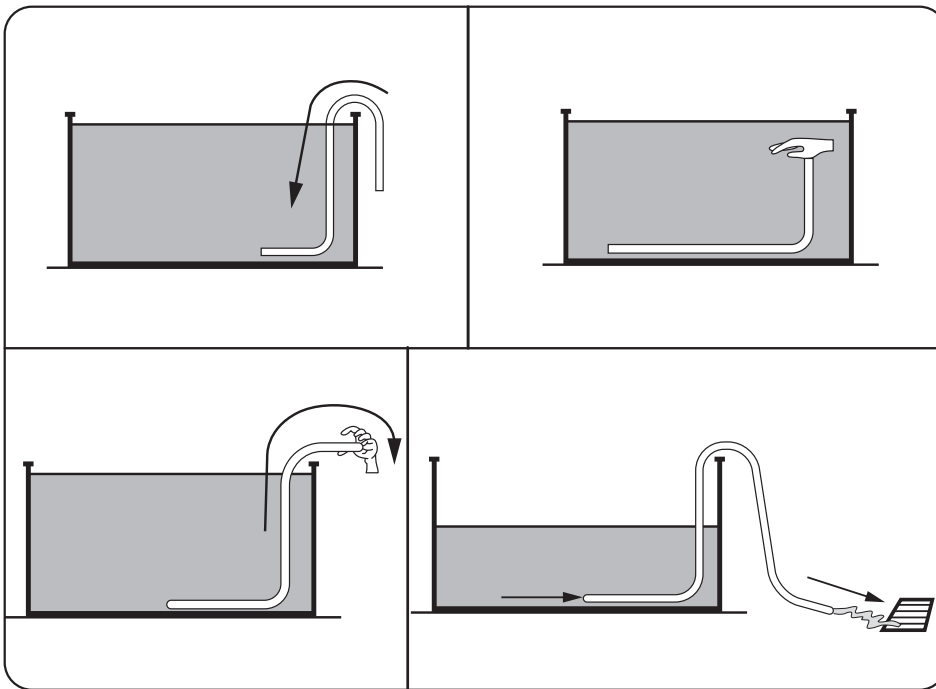
25



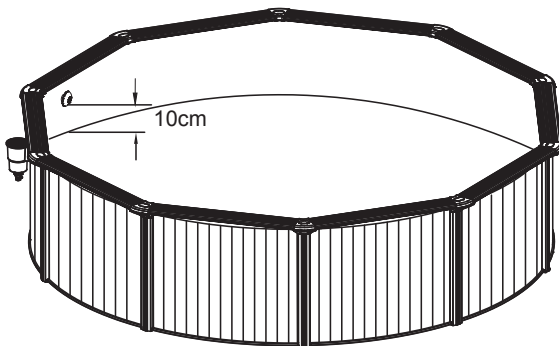
26



27



28



Limited BESTWAY® Manufacturer's Warranty

The product you have purchased comes with a limited warranty. Bestway® stands behind our quality guarantee and assures, through a replacement warranty, your product will be free from manufacturer's defects.

The following provision is only valid within the European member state countries. The legal regulation of Directive 1999/44/EC will not be effected by this BESTWAY limited warranty.

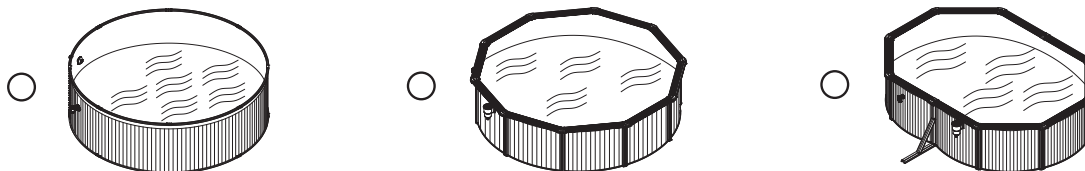
To enact a warranty claim, this form must be completed and submitted with a copy of your receipt/purchase to your local Bestway After Sales Center. Before any claims can be accepted, the Bestway After Sales Center may ask you to send a piece of the defective part to the center (e.g. a cut out of the production batch number / drain valve). Please contact your local Bestway After Sales Center before sending any documents. They will provide full instructions of what is needed for your claim.

Bestway® is not responsible for economic loss due to water or chemical costs. Bestway® will not replace any products deemed to have been damaged due to negligence or having been used outside of the owner's manual guidelines.

Bestway's warranty covers manufacturing defects discovered while unpacking the product or during use, within the limits of use and respectful of warnings and instructions given within the user's manual. This warranty applies only to products which have not been modified by any 3rd parties. The product must be stored and handled in accordance with the technical recommendations.

The Limited Warranty is valid for the period indicated above. The warranty start date is the date of sale shown on the original receipt/purchase invoice.

Please choose the type of your pool:



Date of purchase: _____ Customer Code Number: _____

TO: Bestway® Service Department Date: _____

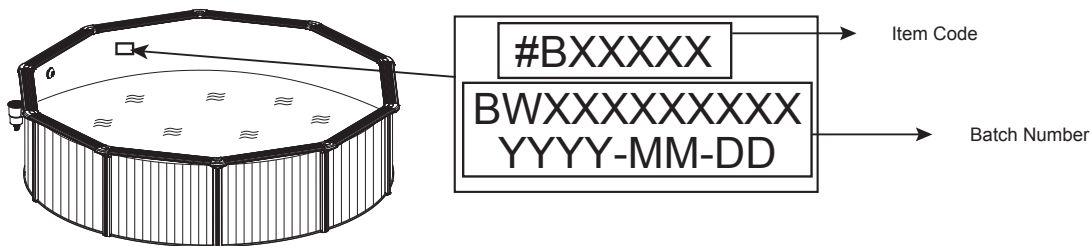
FAX/E-MAIL/TEL: Please refer to your country according to the information found on the back cover or on our website: www.bestwaycorp.com. Please provide your address details in full. **Note:** Incomplete address details will result in delayed shipments. Bestway reserves the right to charge for redelivery of undelivered packages where the recipient is at fault.

REQUIRED INFORMATION - PLEASE WRITE THE SHIPPING ADDRESS

Name: _____ Address: _____
 Zip Code: _____ Retailer: _____
 Country: _____ City: _____
 Mobile: _____ Telephone: _____
 Fax: _____ E-mail: _____

Please write the Batch Number and Item Code located near the drain valve

Batch Number: _____ Item Code: _____



Problem description

- Item is torn / Leaking
 Faulty welding
 Faulty upper ring
 Faulty drain valve
 Other (Please describe)
 Missing part (Please use the code for the missing part. This can be found in the owner's manual.)

IMPORTANT: ONLY THE DAMAGED PART WILL BE REPLACED, NOT THE COMPLETE SET.

Bestway reserves the right to request photographic evidence of defective parts, or to require sending the item for additional testing. In order to best assist you, we request all information you provide to be complete.

FOR FAQ, MANUALS, VIDEOS OR SPARE PARTS, PLEASE VISIT OUR WEBSITE: www.bestwaycorp.com
 VIDEOS ARE ALSO AVAILABLE ON OUR BESTWAY CHANNEL ON YOU TUBE: www.youtube.com/user/BestwayService

